

Main performances	Unit	Parameter	Remark
<b>Pile</b>			
Max. drilling diameter	mm	2200	①
Max. drilling depth	m	94/61	②
<b>Rotary drive</b>			
Rated output torque	kN·m	285	
Rotation speed	rpm	5~24	
<b>Crowd system</b>			
Crowd force	kN	260	
Line pull	kN	355	
Stroke	mm	17100	
<b>Main winch</b>			
Lifting capacity	kN	330	
Wire rope diameter	mm	36	
Max. line speed	m/min	70	
<b>Auxiliary winch</b>			
Lifting capacity	kN	90	
Wire rope diameter	mm	20	
Max. line speed	m/min	70	
<b>Mast inclination</b>			
Forward/backward	°	5/90	
Lateral	°	±3	
<b>Main Chassis</b>			
Base engine	/	6WG1	ISUZU
Engine power	kW/rpm	300/1800	
Exhaust emission	/	China Stage III	
Fuel tank capacity	L	680	
Width retracted/extended	mm	3460-4760	
Track shoe width	mm	800	
Swing radius	mm	4465	
<b>Overall machine</b>			
Overall height	mm	25470	
Operating weight	t	105	
Transport width	mm	3475	
Transport height	mm	3625	
Transport length	mm	18695	

①: Uncased/cased  
②: Friction kelly / inter-locking kelly

Kelly bar	Weight(kg)	Depth(m)	Option
Inter-locking kelly Φ508×4×16	13100	57	
Inter-locking kelly Φ508×4×17	13800	61	Standard
Friction kelly Φ508×6×16	15000	88	
Friction kelly Φ508×6×17	15800	94	

Note: Drilling depth with bucket 1000 mm long



## MULTI-FUNCTION, CONVENIENT SWITCHING

SR285R is a medium-sized multi-functional drilling rig. It can be switched to other construction modes such as low headroom mode, casing mode, and CFA mode. The low headroom mode can be flexibly combined to achieve different heights and meet the working conditions under the bridge, the high voltage line and in the plant.

**Convenient switching:** multi-functional mast, universal interface, easy to switch among different modes, saving cost.

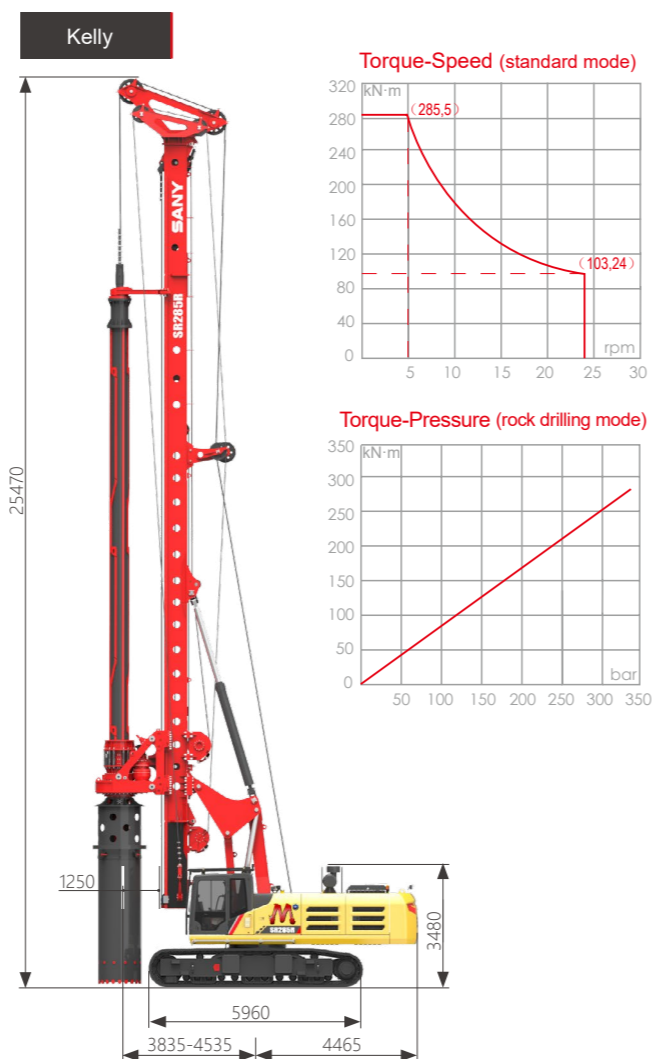
**High efficiency and energy saving:** high torque and high crowd force ensure hard layer construction capacity; abundant power, real-time distribution, quick response and more energy saving.

**Step drum:** only single layer wire rope winding on main winch drum for interlocking bar, no extrusion wear between the ropes, long service life, low cost.

**High reliability:** working devices are designed under high standard, and go through strict system test with good durability. Multi-functional devices and base machine are designed for accurate and secure connection.

**Intelligent control:** the locking device visualization technology shows the locking and unlocking process, to reduce Kelly bar wear and accidents. EVI mobile phone exclusive APP, remote monitoring equipment location, efficiency, fuel consumption, etc., one-key service call more convenient.

**Convenient maintenance:** automatic central lubrication system saves time and effort. The full-length platform and upper carriage guardrail are optional, to provide full protection.



Low headroom	Unit	Parameter	Remark
<b>Pile</b>			
Max. drilling diameter	mm	2200	
<b>Rotary drive</b>			
Rated output torque	kN·m	285	
Rotation speed	rpm	5~24	
<b>Crowd system</b>			
Crowd force	kN	260	
Line pull	kN	355	
Stroke	mm	4600	
<b>Low headroom-12m</b>			
Overall height	mm	13280	③
Overall height	mm	11655	④
Operating weight	t	89	
<b>Low headroom-15m</b>			
Overall height	mm	16270	
Overall height	mm	14680	
Operating weight	t	93	
<b>Low headroom-18m</b>			
Overall height	mm	18780	
Overall height	mm	18050	
Operating weight	t	96	

Kelly bar	Weight(kg)	Depth(m)	Option
Φ508×4×9	7650	29	■
Φ508×4×11	9760	39	●
Inter-locking kelly Φ508×5×6	7710	22	▲
Φ508×5×9	8600	36	■
Φ508×5×11	10600	50	●

Note: ③ the higher location of boom  
④ the lower location of boom

**Low headroom mode:** a few parts, such as kelly were needed.  
**CFA mode:** directly switch to CFA mode by changing a few parts, such as dedicated pulley yoke, balancing rope device, Auger cleaner etc.  
**Customized construction method:** displacement pile device, deeply stirring by single shaft, CFA were needed to be pre-order.



CFA mode	Unit	Parameter	Remark
<b>Pile</b>			
Max. drilling diameter	mm	1200	
Max. drilling depth	m	27	
<b>Rotary drive</b>			
Rated output torque	kN·m	285	
Rotation speed	rpm	5~24	
<b>Main winch</b>			
CFA Max.Lifting	kN	1000	
Wire rope diameter	mm	36	
<b>Overall machine</b>			
Overall height	mm	33075	
Operating weight	t	108	

