

SANY



**QUALITY
CHANGES THE WORLD**

Vertical Reach: 56.0m

SYM5449THBE 560C-8A TRUCK-MOUNTED CONCRETE PUMP

Energy-saving

With cycle times of up to 29 per minute (at 12MPa), pumpefficiency is increased up to 25% while fuel consumption is decreased by up to 10%.

Highly Wear Resistant Parts

The highly wear resistant parts improve efficiency and reduce down time.

Safety

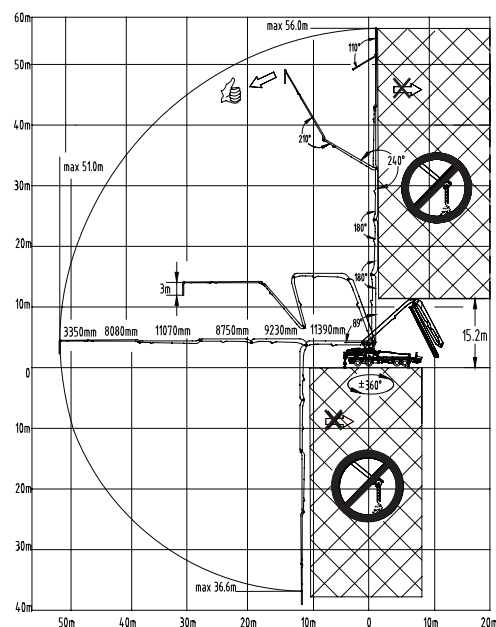
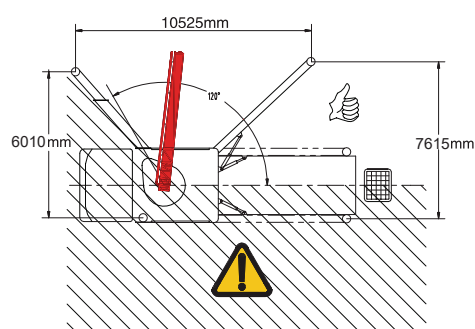
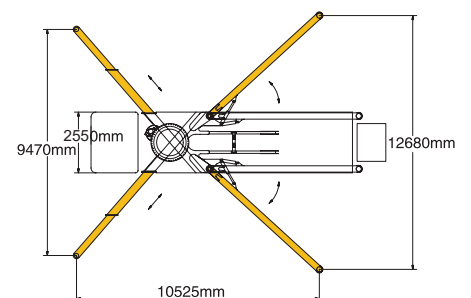
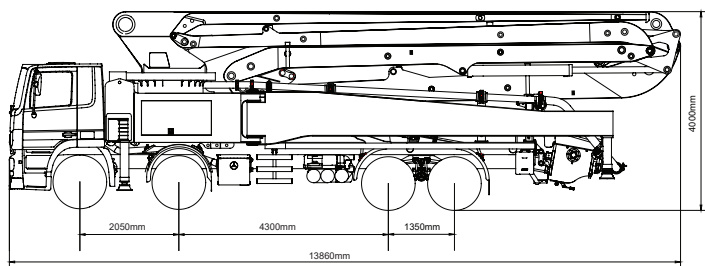
Our C8 series truck mounted concrete pump exemplifies Sany's precise, rigorous manufacturing philosophy and uncompromising focus on safety.

Self-diagnosis Technology

Continually monitors more than 200 aspects of the system during operation. Faults are displayed on the monitor. Review of the detected faults can reduce troubleshooting time by 70%.

TECHNICAL SPECIFICATIONS

Model		SYM5449THBE 560C-8A		
Overall Specification	Length(mm)	13860		
	Width(mm)	2550		
	Height(mm)	4000		
	Dead Weight(kg)	44000		
Boom & Outrigger Specification	Vertical Reach(m)	56		
	Horizontal Reach(m)	51		
	Reach Depth(m)	36.6		
	Min. Unfolded Reach(m)	15.2		
	1st Section	Length(mm)	11390	
		Articulation(°)	89	
	2nd Section	Length(mm)	9230	
		Articulation(°)	180	
	3rd Section	Length(mm)	8750	
		Articulation(°)	180	
	4th Section	Length(mm)	11070	
		Articulation(°)	240	
	5th Section	Length(mm)	8080	
		Articulation(°)	210	
	6th Section	Length(mm)	3350	
		Articulation(°)	110	
Rotation(°)	±360			
Front Outrigger Spread L-R(mm)	9470			
Rear Outrigger Spread L-R(mm)	12680			
Pumping System Specification	Output (m³/h)	Low-Pressure	180	
		High-Pressure	125	
	Pressure (MPa)	Low-Pressure	8.3	
		High-Pressure	12	
	Max. strokes per minute (times/min)	Low-Pressure	29	
		High-Pressure	19	
	Delivery Cylinder Diameter(mm)	260		
	Stroke Length(mm)	2100		
	Hydraulic System	Open		
	Hydraulic System Oil Pressure(MPa)	32		
	Oil Tank Capacity(L)	680		
	Water Tank Capacity(L)	620		
Pipe Diameter(mm)	125			
End Hose Length(m)	3			
End Hose Diameter(mm)	125			
Chassis Specification	Chassis Brand	BENZ		
	Chassis Model	Arocs 4143 8×4		
	Engine Type	OM470LA.5-54		
	Engine Maximum Net Power(kW/rpm)	315/1600		
	Emission Standard	China stage V		
	Fuel Tank Capacity(L)	390		
	Displacement(L)	10.677		
	Max. Speed(km/h)	90		



SANY HEAVY INDUSTRY CO., LTD.

SANY Industry Town, Changsha Economic and Technological Development Zone,
Hunan Province, China

Service Line: +86 4006 098 318 E-mail: crd@sany.com.cn

SANY[®]
QUALITY CHANGES THE WORLD.