

SPK 32080

# KNUCKLE BOOM CRANE

IDEAL LIFTING SOLUTION FOR 3 AXLE TRUCKS



# TECHNICAL SPECIFICATION

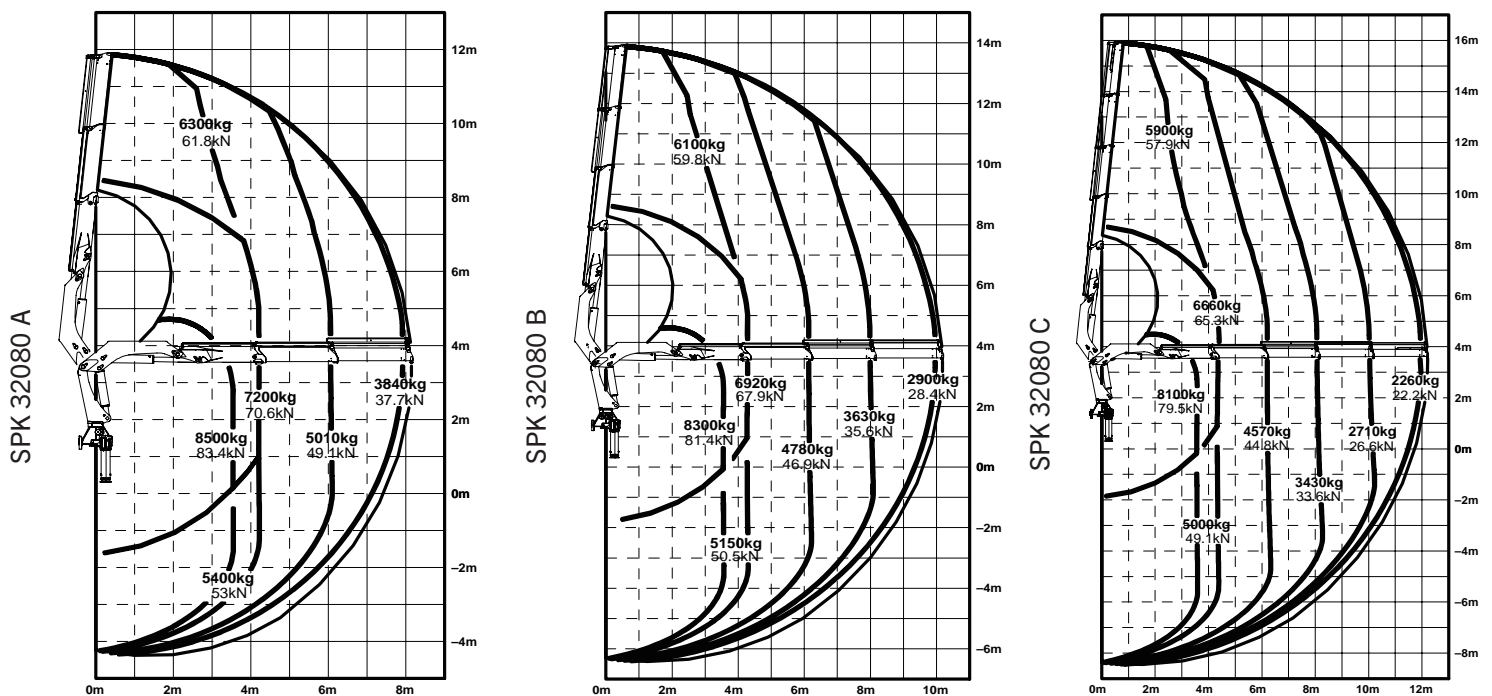
## Product Description

- Equipped with load holding valves for safe crane operations
- High speed boom extension and retraction with return oil utilization
- Optimized lifting performance with the use of high tensile steel and hexagonal boom design
- Lightweight yet robust construction according to European Standards (EN 12999)
- Professional installation solutions and technical supports
- Standard package includes
  - Oil tank loose
  - Load holding valves
  - Painting
  - High pressure filter
  - Digital hour counter
  - Load hook
  - Crane preservation
  - Mounting bolts
  - Spare parts catalogue
  - Crating

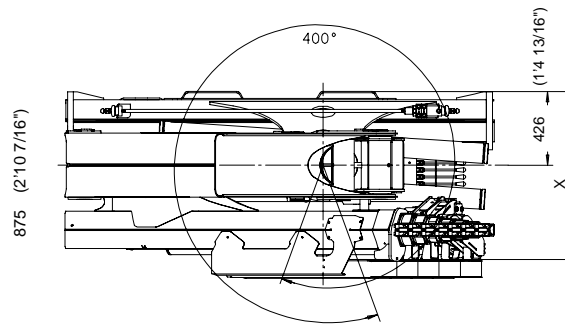
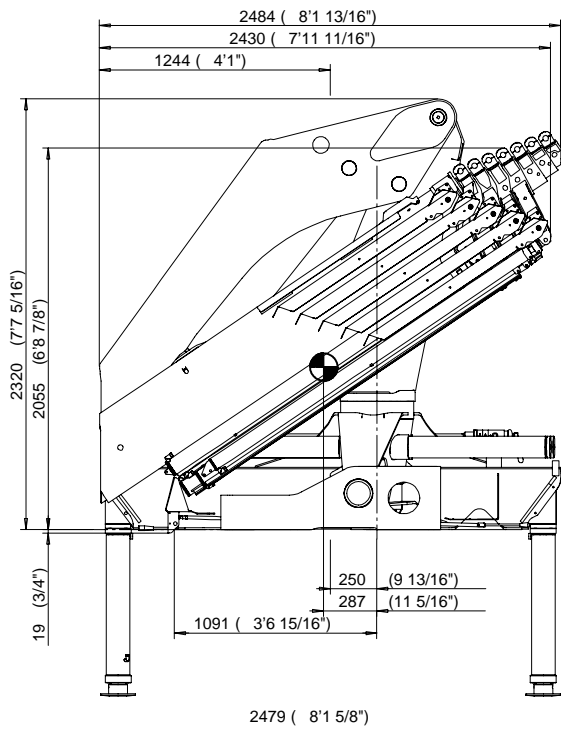
## Technical Data

Basic Data	SPK 32080
Max. lifting moment [mt]	30.4
Max. lifting capacity [kg]	8500
Max. hydraulic outreach [m]	14.2
Max. hydraulic outreach lifting capacity [kg]	1790
Max. number of extension boom	5 (D)
Slewing angle [°]	400
Slewing moment [mt]	3.8
Max. stabilizer spread [mm]	6000
Std. stabilizer spread [mm]	6000
Fitting space required [mm]	972
Width folded [mm]	2484
Max. operating pressure [bar]	300
Recommended pump capacity [l/min]	55 - 80
Dead weight standard crane [kg]	3130

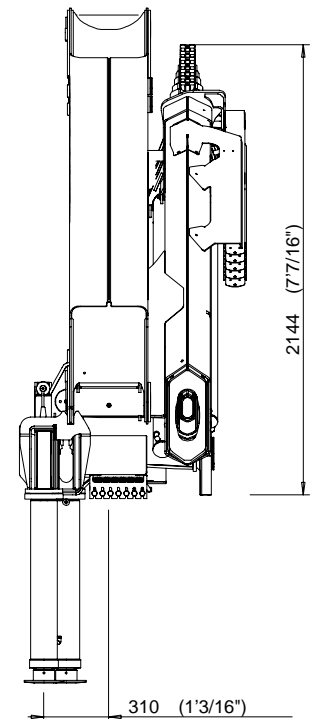
# LIFTING CHART



## CRANE DIMENSION



hydraulic extensions extensions hydrauliques	X
2	972 (3'2 1/4")
3	
4	



Subject to change, production tolerances have to be taken into account.

## FEATURES AND OPTIONS



### Ergonomic Crane Control

- Ergonomically arranged operating levers for all crane functions
- Functional design for better comfort during crane operation
- Straightforward service and maintenance



### High Density Paint

- Top quality surface paint with corrosion protection
- Long term UV-resistant coating
- Aesthetically pleasing and attractive colour



### Load Holding Valve

- Holds the cylinder in position
- Standard fittings on all cylinder
- Strategic positioned to protect from damage



### High speed extension

- Increase extension and retraction speed of the boom system
- Crane works faster with return oil utilization
- Time saving during crane operation



### Radio Remote Control

- Efficient control of the crane remotely
- Safe crane operation outside of the danger zone
- Easy maintenance and quick troubleshooting



### Top Seat

- Excellent visibility of the surrounding area
- Foldable sun protection umbrella for hot weather
- Seat cover to prevent exposure from sun



### Hydraulic Overload Safety Device

- Prevents the crane from overloading
- Overload protection system with emergency cut-off function
- Stops all movements of the crane that increases load



### Hose Equipment for Attachments

- Additional hydraulic functions for attachments
- Simple installation with hose tray protection
- Diverse applications suitable for different industry

SANYPALFINGER SPV EQUIPMENT CO.,LTD  
Huanghe Road 189,Rudong Economic Development Zone  
226499,Nantong,China  
T: 4008-835-318  
[www.sanypalfinger.com](http://www.sanypalfinger.com)

Cranes shown in the leaflet are partially optional equipped and do not always correspond to the standard version. Country-specific regulations must be observed. Dimensions may vary. Subject to technical changes, errors and translation mistakes.

