

QUALITY CHANGES THE WORLD

**PRODUCT
SPECIFICATIONS**



STC250T4

**SANY TRUCK CRANE
25T LIFTING CAPACITY**



Max. Lifting Capacity: 25 t
Max. Boom Length: 35 m
Max. Lifting Moment: 1078 kN-m

L/R hand drive both available
V1.2

www.sanyglobal.com

SANY TRUCK CRANE STC250T4 / 25T LIFTING CAPACITY

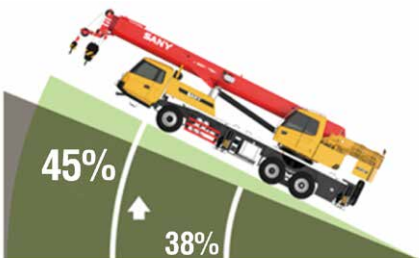
Strong boom

- 35m telescopic boom, Reach a new height of 35.5m.
- Larger cross-section boom, achieving a load moment of 1078KN·m.
- Boom section overlap increased, resulting in higher torsion resistance and bending resistance.
- 8m lattice jib, triangular structure for stable operation.



Powerful chassis

- DF Cummins ISLe290 30 engine, FAST 9-speed synchronizing gearbox, rubber suspension, 12R22.5 wire tire.
- Frame torsion resistance verified by 20k times of reliability and safety cycling test.
- Outrigger span expanded to 5.18m×6.4m (largest among this tonnage in the industry), stable base.
- Low deck carrier for drive stability.





NY

△ NO STANDING UNDER THE BOOM

SANY

SANY TRUCK CRANE STC250T4 / 25T LIFTING CAPACITY



Precise hydraulics

- Load sensing hydraulic system: higher efficiency with less consumption.
- Constant-pressure powered luffing: smoothly luffing down, free from impact of load fluctuation.
- Big-flow piston slewing motor: slower slewing with larger torque.
- Power control: Engine speed reduced by 12% in operation, less fuel needed, less noise generated.



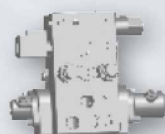
Mass-flow main valve



Bivariate piston pump



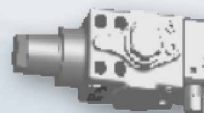
Luffing balance valve



Slewing proportional valve



Winch motor



Winch balance valve





Length & angle indicator



Height limit switch



Danfoss
Pressure sensor



Smart I/O power distribution



Winch protector



Smart control

- CAN-BUS system: instant transfer of information, as fast as 20ms.
- Fault diagnosis: BCM controller for fault detection and easy maintenance.
- 7-color display & smart panel & IO power distribution: user friendly.
- Safety guarantee: SANY, Load Moment Indicator monitoring load and wire rope conditions.



Technical Features



5 ton hook block

Winch for easy loading

- Max. single line pull up to 5 ton. Freight within 5t can be loaded with a 5t auxiliary hook (standard configuration).
- Auxiliary hook block: wide opening with latch, safe and convenient.



Walking deck

- Abundant distance between deck and slewing platform to place outrigger sleeper.
- Ample space on deck tail to place sleepers.



Power and travel

- 300L fuel reservoir, 882km possible after every refuel.



Heat radiator

- Oil radiator mounted on the right of slewing platform, clear airflow and radiating.

Technical Features



Two cabs

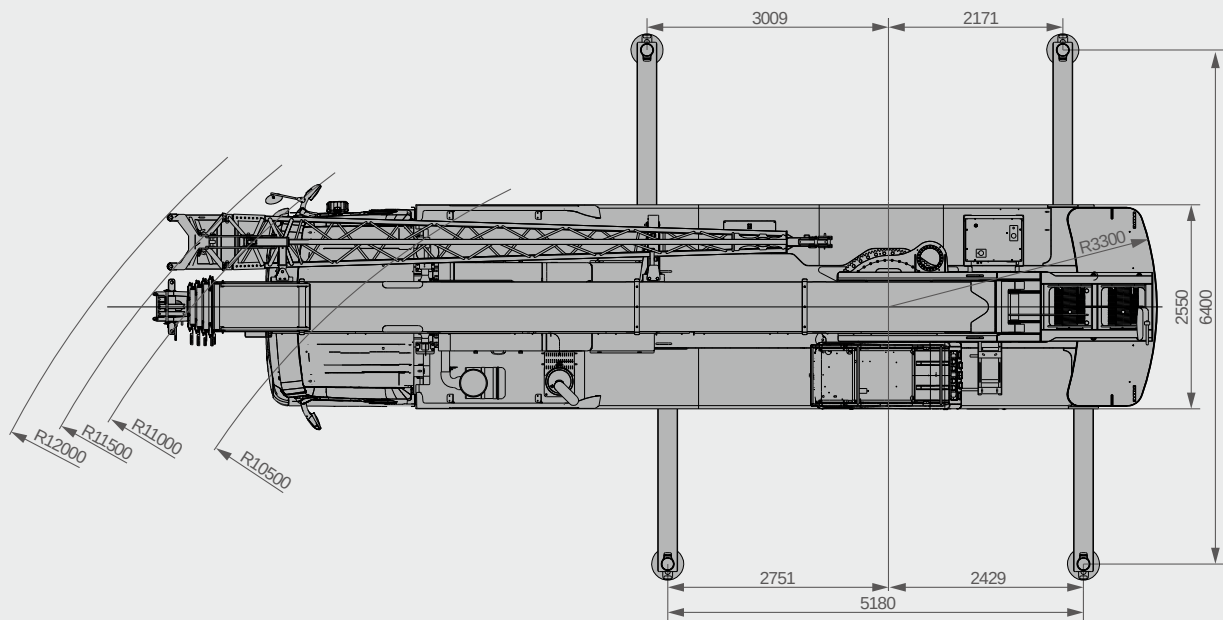
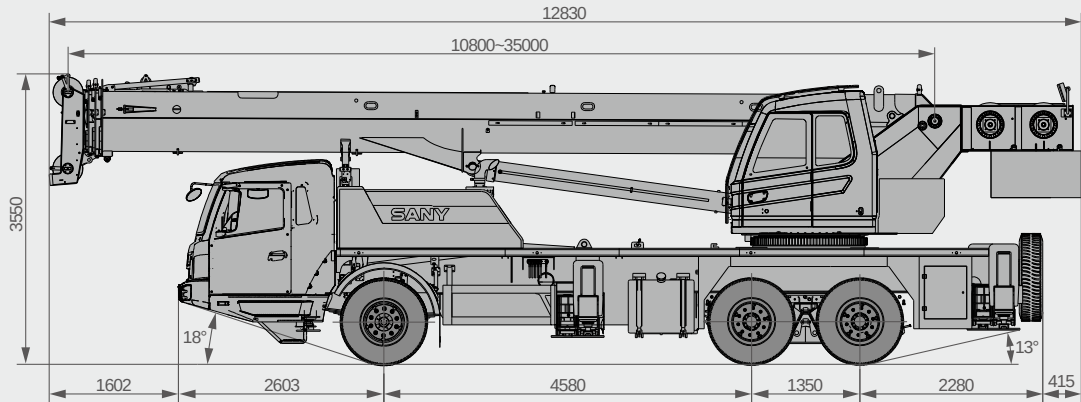
- Ergonomic design gives you comfortable drive and operation.
- Wide view and multiple indicators for safe performance.



Counterweight

- Fixed 5 ton counterweight, high density with smaller size.

Overall Dimensions



Technical Specification

CATEGORY	ITEM	UNIT	VALUE	
CAPACITY	Max. lifting capacity	t	25	
WEIGHT	Gross weight	kg	30600	
POWER	Engine model		ISLe290 30	
	Max. engine power	kW/rpm	213/2100	
	Max. engine torque	N·m/rpm	1050/(1200-1400)	
DIMENSIONS	Overall length	mm	12830	
	Overall width	mm	2550	
	Overall height	mm	3550	
	Axle base	Axle 1&2	mm	4580
		Axle 2&3	mm	1350
TRAVEL	Max.travel speed	km/h	90	
	Steering radius	Min.steering radius	m	10.5
		Min.steering radius of boom tip	m	12.5
	Min.ground clearance	mm	250	
	Approach angle	°	18	
	Departure angle	°	13	
	Max.gradeability	%	45	
	Fuel consumption per 100km	L	35	
	Working temperature range	°C	-20~+45	
MAIN PERFORMANCE	Min.rated lifting radius	m	3	
	Tail slewing radius	m	3.3	
	Boom sections (Qty.)		4	
	Boom shape		U-shape	
	Max.lifting moment	Basic boom	kN·m	1078
		Full-extend boom	kN·m	658
		Full-extend boom+jib	kN·m	356
	Boom length	Basic boom	m	10.8
		Full-extend boom	m	35
		Full-extend boom+jib	m	43
	Outrigger span (Longitudinal×Transverse)	m	5.18×6.4	
	Jib offset	°	0,15,30	
OPERATION SPEED	Max.single rope lifting speed of main winch (empty load)	m/min	130	
	Max.single rope lifting speed of auxiliary winch (empty load)	m/min	130	
	Full extension / Retraction time of boom	s	55/45	
	Full luffing up / Down time of boom	s	45/55	
	Slewing speed	r/min	2.5	
AIRCONDITIONER	In operator's cab		Heating & cooling (LHD) Cooling (RHD)	
	In driver's cab		Heating & Cooling	

Technical Parameters



Axle Load

Axle	1	2	3	Gross weight
Load per axle /kg	6800	12000	11800	30600



Hook

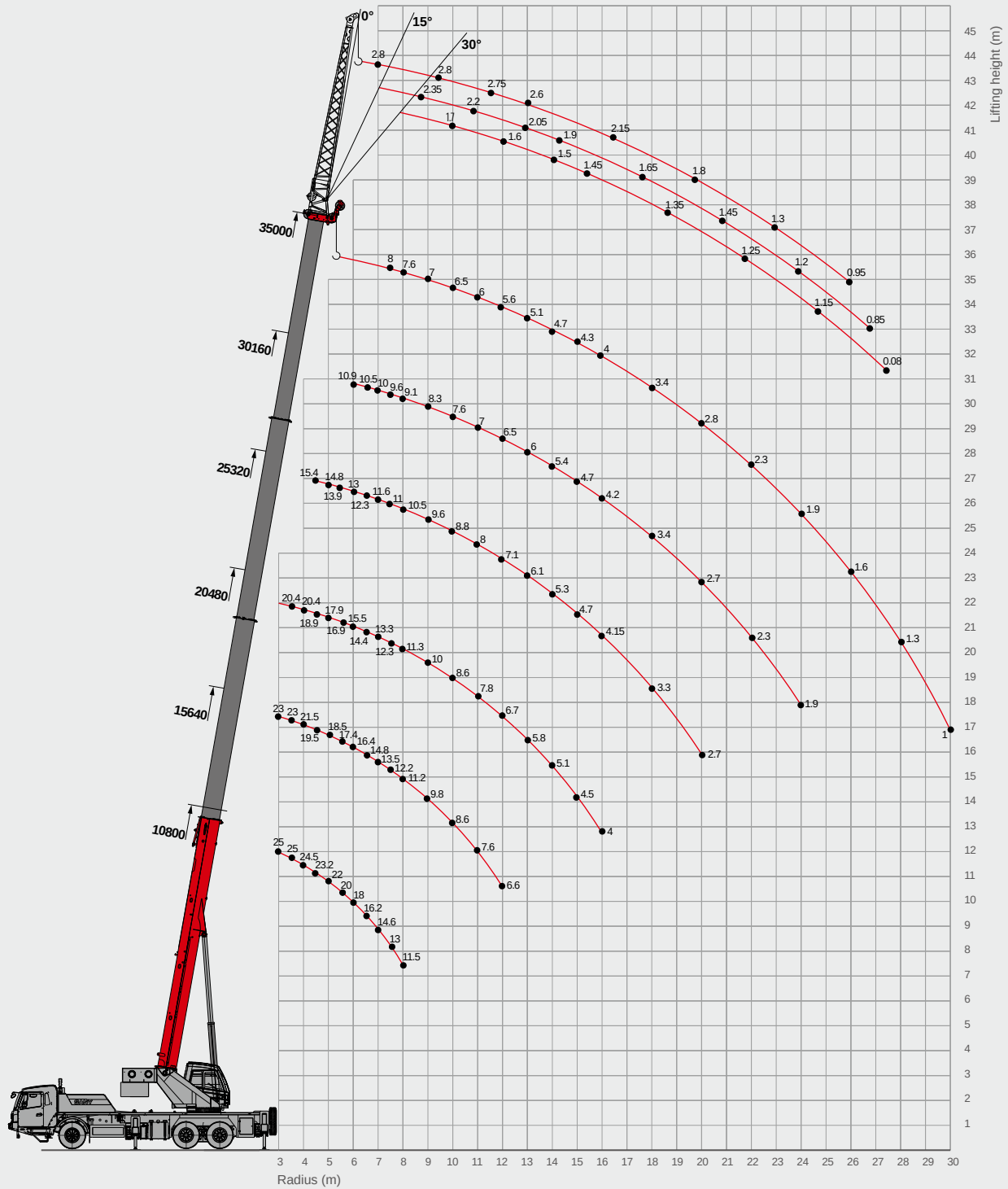
Load/t	Number of sheaves	Rope rate	Hook weight /kg
25	4	8	320
5	-	1	85



Operations

Item	Rope diameter/length	Max. single line pull
Main winch	16mm/165m	4t
Auxiliary winch	16mm/95m	4t
Slewing	2.5r/min	
Luffing up/down	45s/55s	
Telescoping	55s/45s	
Outrigger jack	Retract	30s
	Extend	15s
Outrigger beam	Retract	25s
	Extend	20s

Operating Range



Load Chart-Telescopic Boom



Unit: kg

Radius (m)	10.8	15.6	20.5	25.3	30.2	35	Radius (m)
3.0	25000	23000					3.0
3.5	25000	23000	20400				3.5
4.0	24500	21500	20400				4.0
4.5	23200	19500	18900	15400			4.5
5.0	22000	18500	17900	14800			5.0
5.5	20000	17400	16900	13900			5.5
6.0	18000	16400	15500	13000	10900		6.0
6.5	16200	14800	14400	12300	10500		6.5
7.0	14600	13500	13300	11600	10000		7.0
7.5	13000	12200	12300	11000	9600	8000	7.5
8.0	11500	11200	11300	10500	9100	7600	8.0
9.0		9800	10000	9600	8300	7000	9.0
10.0		8600	8600	8800	7600	6500	10.0
11.0		7600	7800	8000	7000	6000	11.0
12.0		6600	6700	7100	6500	5600	12.0
13.0			5800	6100	6000	5100	13.0
14.0			5100	5300	5400	4700	14.0
15.0			4500	4700	4700	4300	15.0
16.0			4000	4150	4200	4000	16.0
18.0				3300	3400	3400	18.0
20.0				2700	2700	2800	20.0
22.0					2300	2300	22.0
24.0					1900	1900	24.0
26.0						1600	26.0
28.0						1300	28.0
30.0						1000	30.0
Rope rate	8	8	7	5	4	3	Rope rate

Load Chart-Jib



Unit: kg

Boom+Jib				
Boom angle	jib offset angle(°)			Boom angle
	0°	15°	30°	
78°	2800	2350	1700	78°
75°	2800	2200	1600	75°
72°	2750	2050	1500	72°
70°	2600	1900	1450	70°
65°	2150	1650	1350	65°
60°	1800	1450	1250	60°
55°	1300	1200	1150	55°
50°	950	850	800	50°

Remark:

- 1.Value listed are the max. capacity when the crane is in a level condition on solid ground or surface;
- 2.When the fifth outrigger is landed in position, value listed are applicable for 360 degree operation. In case of damage, avoid loading above carrier cab. Front operation is forbidden when the fifth outrigger is not working;
- 3.Value above are calculated with hooks and lifting slings considered (320kg main hook, 85kg auxiliary hook);
- 4.Radius refers to horizontal reach from hook center to slewing platform center;
- 5.Load value is given according to the larger radius or boom length value when the actual radius or boom length falls between two numbers above;
- 6.Lifting performance of boom point sheave equals that of 41m boom, while max. load shall be 5t;
- 7.Boom load capacity shall be 450kg less than value given when jib is mounted.



SANY GROUP CRANE BU

SANY Mobile Crane Industrial Park, No.168 Jinzhou Avenue, Jinzhou Development Zone, Changsha City, Hunan Province, P.R. China Zip 410600

Consulting sanycrane@sanygroup.com (Crane BU) / crd@sany.com.cn (IHQ)

After-sales Service 0086-400 6098 318

Reminder:

Any change in the technical parameters and configuration due to product modification or upgrade may occur without prior notice. The machine in the picture may include additional equipment. This brochure is for reference only, and goods in kind shall prevail.

Copyright at SANY. No part of this brochure may be copied or used for any purpose without written approval from SANY.

© Edited in January 2022

