

QUALITY CHANGES THE WORLD

PRODUCT
SPECIFICATIONS



SAC9000S

SANY ALL TERRAIN CRANE
900T LIFTING CAPACITY



900 t*



119.3(63.8+55.5)m



21756 kN·m

* requiring additional equipment

www.sanyglobal.com

V1.1

Excellent performance

Five section boom 64.6m in full extension, optional eight section 100m, fixed jib 55.5m, max. lifting height 118.4m. Luffing jib 90m, max. lifting height 154m.

Equipped with Y-shape superlift device, the lifting performance of long-boom is more than doubled; the counterweight displacement is 1.7m, which greatly improves the stability of the whole machine.

The special wind power jib of 55.5m is equipped for covering installation and maintenance of 2.0MW wind turbine below 90m high, and meeting the requirements of installing rotor blades of 2.2-2.5MW mainstream models.

High reliability

The Mercedes-Benz electronically controlled diesel engines are used for superstructure and chassis, which matches ZF AMT and hydraulic torque converter. The axle and transfer case are made by KESSLER, Germany.

The controller, display and sensor are all top-notch configurations, which meets the safety standards of European and American industries and ensures safe and stable operation.

High-quality key hydraulic components including main oil pump, main valve, winch motor, slewing motor and balance valve are adopted to guarantee high system reliability.

The neat wiring all over the whole machine is of high reliability. Coverage with all-aluminum alloy ensures no rust.

SANY ALL TERRAIN CRANE SAC9000S / 900T LIFTING CAPACITY

Efficient disassembly and assembly

120t counterweight for wind power maintenance work and 140t counterweight for wind power installation come with less need for transport trailers.

The main pin shaft is hydraulically controlled, and the superlift device can be tensioned intelligently with one-key operation. On-site transfer can be realized with boom and superlift onboard, making it more efficient to move between jobsites.



Energy saving and environmentally friendly

The weight of the whole machine is optimized with compact design of its structure, thus greatly saving fuel.

Electro proportional pump is adopted, and the displacement and speed are controlled by steps, which is efficient and energy-saving.

The intelligent speed regulation technology of double pump flow distribution can meet the needs of various combined motions with high efficiency and less energy cost.

High-level security

Complete safety logic and interlocking control avoid the risks caused by mis-operation.

Comprehensive danger warning reminds operators of possible hazards in time.

With multi-level protection, different hazard levels are matched with different restriction levels, and the lifting performance is maximized while ensuring safety.

Double-screen display and multiple sensors on the superstructure provide timely feedback of data information and realize real-time monitoring.



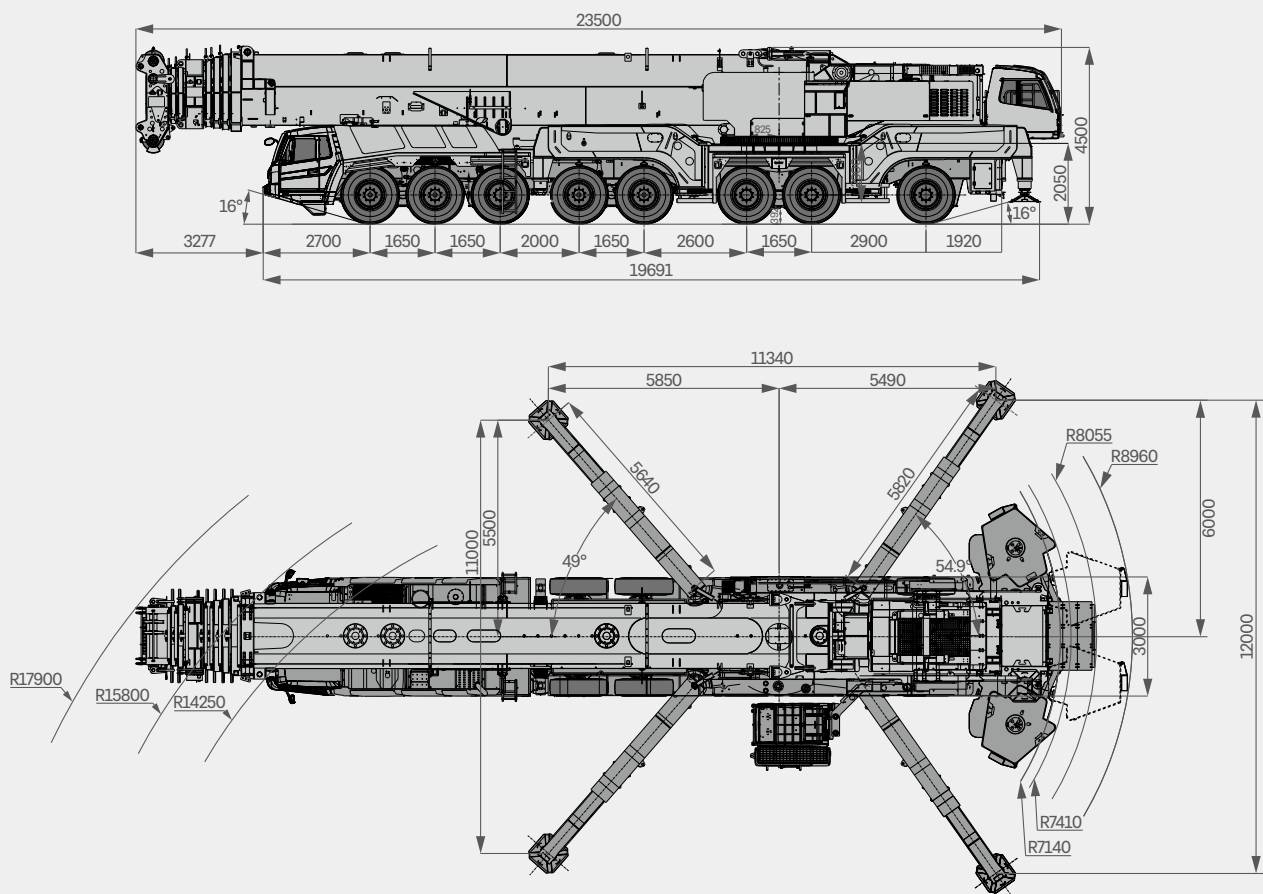
Model **SAC9000S** | SERIES

CONTENTS

Crane Highlights	02
Overall Dimensions	04
Technical Specification	06
Crane Introduction	07
Counterweight Combinations	10
Fixed Jib Assembly	11
Luffing Jib Assembly	12
Transport Solutions	13
Transport Dimensions	14
Wind Farm Working Configurations	21
Working Conditions & Codes Description	23
Operating Range & Load Chart	
T5	26
T5S	29
T5SF 55.5m	32
T5SF 45.5m	34
T5SEL 18.8+66m	37
T5SEL 8.8+90m	39
T8	41
T8S	45
T8SAJ	48
Icon Description	52

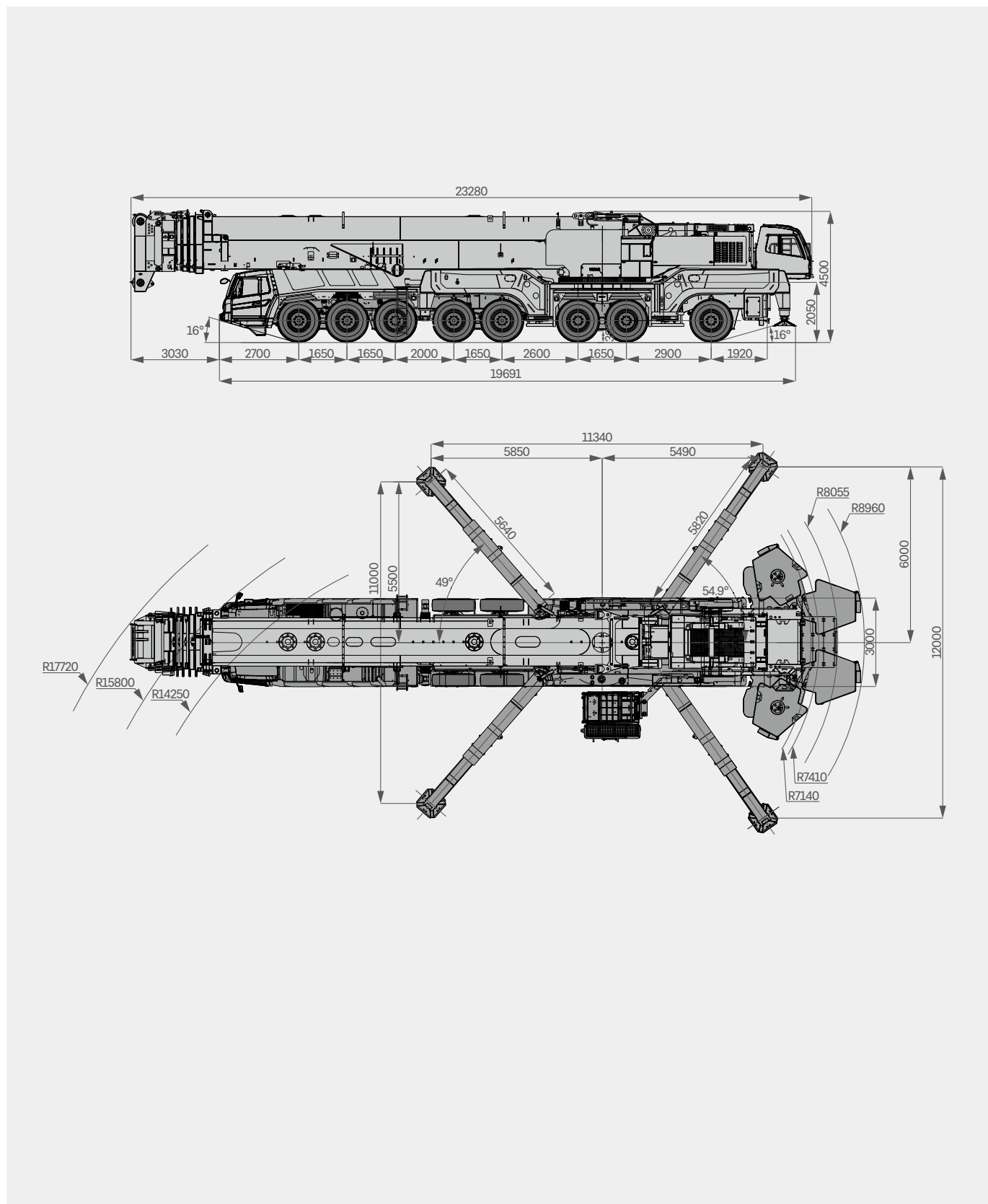
Overall Dimensions-T8

Unit: mm



Overall Dimensions-T5

Unit: mm



Technical Specification

CATEGORY	ITEM	UNIT	VALUE	
CAPACITY	Max. lifting capacity	t	900	
POWER (CHASSIS)	Power	kW/rpm	480/1800	
	Torque	N.m/rpm	3000/1300	
POWER (SUPERSTRUCTURE)	Power	kW/rpm	240/2200	
	Torque	N.m/rpm	1300/1300-1600	
DIMENSIONS	Overall length	mm	20000	
	Overall width	mm	3000	
	Overall height	mm	4000	
TRAVEL	Max. travel speed	km/h	80	
	Steering radius	m	14.25	
	Wheel formula	-	16 × 8(10)	
	Approach angle	°	16	
	Departure angle	°	17	
	Max. gradeability	%	37.5	
MAIN PERFORMANCE	Working temperature range	°C	-20~+40	
	Total counterweight	t	190	
	Boom sections	-	5/8	
	Boom shape	-	U shape	
	Max.lifting moment	Basic boom	kN·m	21756
	Boom length	Basic boom	m	17.4
		Full-extension boom	m	64.6 (Standard) 100 (Optional)
		Max. combination of boom + wind power jib	m	119.3
		Max. combination of boom + luffing jib	m	153.4
	Max. lifting height	Basic boom	m	17.4
		Full extension boom	m	64.6 (Standard) 100 (Optional)
		Max. combination of boom + wind power jib	m	118.4
		Max. combination of boom + luffing jib	m	154
Outrigger span		m	(11) 12 × 11.34	
OPERATING SPEED	Max. single rope lifting speed of main winch (empty load)	m/min	115	
	Slewing speed	r/min	0~0.8	
AIRCONDITIONER	In operator's cab	-	Heating & cooling	
	In driver's cab	-	Heating & cooling	

Crane Introduction

Chassis

Driver's cab

- The cab is a new steel structure developed by Sany, with excellent shock absorption and sealing performance. It is equipped with pneumatic suspension driver's seat and co-driver's seat, adjustable steering wheel, large rearview mirror, comfortable headrest, demisting fan, air conditioner and stereo radio, etc. In addition, the control instruments and meters are well arranged to provide comfortable, safe and user friendly experience.

Carrier frame

- Developed and manufactured by Sany, the frame is lightweight after being optimized to anti-torsion box structure welded by fine grain high-tensile steels. Front and rear towing devices available.

Chassis engine

- Model: electronically controlled, V-type eight-cylinder, water-cooled, supercharged intercooled, diesel engine.
- Power: 480kW / 1800rpm.
- Torque: 3000N · m / 1300rpm.
- Emission standard: complying with EU Stage IIIB.
- Fuel reservoir capacity: approx. 600L.

Transmission

- ZF AMT, with hydraulic torque converter and hydraulic retarder, reaches a wide range of speed ratios with 12 forward gears and 2 reversing gears, which is adaptable to slope climbing and high-speed traveling.

Axle

- Kessler axles with disc brake, all wheel steering, drive 16 × 10. Axle 1, 2, 4, and 5 are drive axles on highways, and axle 8 is driven hydraulically additionally on tough terrains. Axle 1, 2, 3, and 4 are steered mechanically with hydraulic booster; axle 5 to 8 are steered by hydraulic power, which features easy steering and flexible maneuverability.

Suspension system

- The whole system features height adjustable hydro-pneumatic suspension devices with hydraulic locks, which can realize five modes incl. suspension, rigid locking, auto leveling, whole vehicle lifting and single point lifting. Its good passability applies to all kinds of rough jobsites and road surfaces, ensuring smoothness and lateral stability during driving.

Tire

- Radial tires - 16.00R25 (445/95 R25).

Brake

- Dual circuit, air brake, disc brakes available.
- Service brake: air servo brakes on all wheels, dual circuit, dual air chamber braking system, all wheels equipped with disc brakes.
- Parking brake: actuated by pressure accumulators on axles 2 to 8.
- Assist brake: engine brake and exhaust brake on the engine, transmission hydraulic retarder brake, fifth axle drive shaft equipped with eddy current retarder.

Steering

- Servo power steering, dual circuit hydraulic steering with emergency steering pump. The steering mode is adjusted according to the speed. Starting from 30km/h, the steering angle of the rear axles gradually converges, and by 60km/h, the auxiliary steering axles are all locked and stop steering.
- Six steering modes: 1) on-road driving (default); 2) all wheel steering; 3) crab steering; 4) reduced swing out steering; 5) independent rear axle steering; 6) independent front axle steering.

Outrigger

- X-type two-stage telescopic outriggers. The hydraulic system of outrigger telescoping adopts electric proportional control technology. The control panel can display load on outriggers, and has the function of auto leveling, featuring high precision and easy operation.

Electrical system

- 24V DC power supply with lighting system, chassis power cut-off available. The throttle and outrigger are controlled by electrical system, which makes the movements light and fast. The electrical system has strong detection, logic and calculation capabilities, with fault self-diagnosis, centralized display and self-protection functions.
- The chassis adopts CAN-Bus system, which is fast, stable and accurate. the centralized display system is multi-functional; the protection level is as high as IP65; the power consumption is small, which is only 5W at most; four function keys are provided in the user interface; LCD screen is with adjustable contrast.

Centralized lubrication system

- The progressive centralized lubrication system is adopted to automatically filling oil to the upper and lower hinges of the suspension cylinder and the steering pitman arm, which prolongs the service life of the whole machine and makes it easy to maintain.

Crane Introduction



Boom & telescoping system

- Five-section 64.6m boom, welded by fine-grain high-strength steel plate, ellipse cross-section, good anti-bending performance. Optional eight-section configuration of 100m available.
- Single-cylinder automatic pinning system with cylinder pin side-mounted. One cylinder can control the telescoping of all boom sections to achieve a variety of boom length combinations.
- The connection pins of the basic boom and slewing platform, luffing cylinder and superlift device are hydraulically plugged, which is highly efficient for disassembly and assembly.



Fixed jib

- Combinations: 35.5m, 40.5m, 45.5m, 55.5m.
- Adopting eccentric A-frame with wider and higher superlift connection hinges.



Luffing jib

- Variable combinations from 24m to 90m.



Superlift device

- Y-type superlift and one-key stable tensioning offers simple and efficient operation; the integral structure and double-rate wire rope can be assembled with assist crane within half an hour.
- The superlift device makes the force state of boom greatly improved, avoiding side bending and reducing deflection, and the lifting performance can be increased by up to two times.



Hoist

- Main winch wire rope: ϕ 25-2160 1050m, rotation resistant, bag type rope head, quick reeving.
- Max. single rope speed at empty load: 115m/min.
- Wide drum and special rope groove ensure the maximum 7 layers of wire rope winding, and expand the service life of wire rope.
- Closed type pump and variable displacement electro proportional motor provide min. stable speed of 30r/min; the drive planetary gear reducer with built-in brake has high pressure and high torque to ensure excellent stability at low speed.



Luffing system

- Double cylinders. Luffing angle: -0.5° ~ 86° .
- Double-pump flow confluence open type hydraulic circuit is adopted, and combination of active and passive luffing mechanism controlled electro proportionally, can realize fast speed at large angle and stable process at smaller angle.



Slewing

- 360° slewing. The closed type slewing system provides good inching-motion performance. Double slewing reducers mesh externally with the ring. Stepless speed regulation possible. Slewing speed ranges at 0-0.8rpm.



Slewing platform

- Made of fine grain high-strength steel plate, the structure is optimized to facilitate stronger bearing capacity and torsion resistance.
- Covering parts are all aluminum alloy, eye-pleasing and rust-resistant.



Superstructure engine

- Model: Mercedes-Benz, electronically controlled, inline six-cylinder, water-cooled, supercharged intercooled, diesel engine.
- Power: 240kW/2200r/min.
- Torque: 1300N · m/1300-1600rpm.
- Emission standard: complying with EU Stage IIIA.
- Fuel reservoir capacity: 420L.



Operator's cab

- 16°~40° tiltable to increase visibility. Push-pull type door, panoramic skylight with safety glass, softened interior trim, rollable sunshade.
- Rear-swing cab movement mechanism can realize two-stage swinging, lifting and tilting motions. It swings and fixed to the rear of slewing platform when transporting.
- Joystick is mounted on the control box; operator seat backrest can be tilted and repositioned; new shape console is of high-end texture; air outlet arrangement is optimized. All is designed ergonomically.
- Dual touch screens. 10" two-in-one LCD touch screen placed in portrait orientation integrates all functions, which can simultaneously display data of the boom and superlift. the adjustable viewing angle ensures better views without reflective light, and multi-screen-and-angle monitoring ensure operation safety.
- Integrated BUS button panel is compact and simple in arrangement with high reliability. User friendly arrangement of main control panel and operation display system provides convenient and quick human-machine interaction.
- Boom and superlift winches are equipped with monitor for centralized monitoring of key areas.
- The cab is equipped with cigarette lighter, USB port, heating and cooling air conditioning.



Centralized lubrication system

- The progressive centralized lubrication system is adopted. 16 lubricating points including slewing bearing, boom hinge shaft and main winch are lubricated regularly and quantitatively, so as to avoid excessive wear of parts and prolong the service life of the whole machine, and make it easy to maintain.

Crane Introduction



Counterweight

- Total 190t including approx. 175t movable units and 15t frame. The main counterweight is 15t/ block × 7, side counterweight I is 10t/ block × 6, side counterweight II is 5 t/ block × 2;
- 11 combinations: 0t, 30t, 45t, 60t, 75t, 90t, 105t, 120t, 140t, 160t and 190t, which can meet the needs of different working conditions and maximize the performance. Counterweight can be moved to variable position by remote control.
- Standard is 140t, and additional 50t is optional.



Hook block

- 6 types of hooks: 12.5t, 32t, 80t, 130t, 160t and 250t. 80t and above are with double hook eyes. 12.5t, 80t, 130t hooks are standard, the others optional.
- 130t lifting hook is special for wind power conditions.
- The counterweight of hook is configured at 0.17t / block × 4, or 0.23t / block × 2.



Hydraulics

- The superstructure hydraulics adopts open and closed type combined system, heavy load in low speed and smaller load in high speed, ensuring high efficiency. The main winch and slewing adopt closed system, achieving energy saving, high efficiency and high reliability. The luffing and telescoping mechanism adopts electro proportional hydraulic control system, achieving stepless speed regulation, intelligent pressure regulation and one key calibration.
- The rest of the auxiliary mechanism adopts electro proportional pump control system. It functions counterweight lifting and moving, operator' s cab swing, lifting and tilting, slewing platform locking, hydraulic pin plugging, etc.
- Equipped with German Rexroth hydraulic pumps and motors and German WESSEL large flow proportional balance valves, the reliability of control and inching motion performance are greatly improved.



Control system

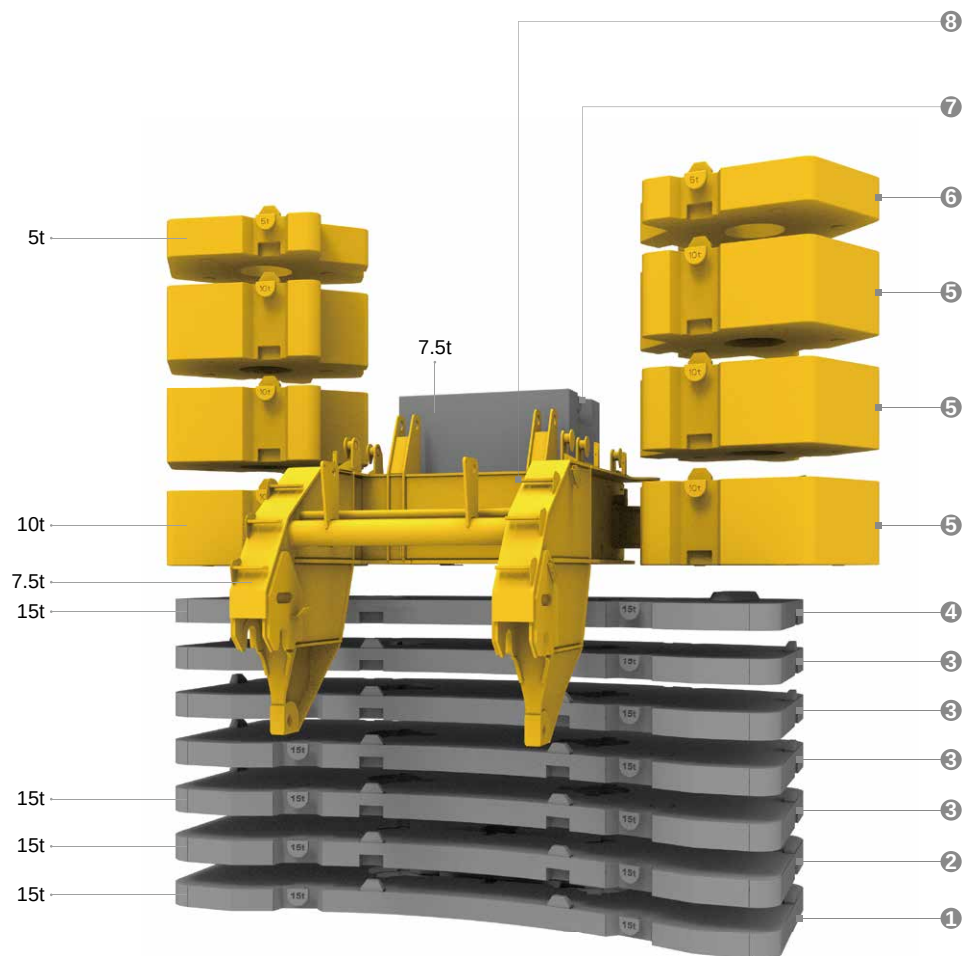
- Powered by 24V DC and using PLC integrated programmable controller, the control network of CAN-BUS combined with conventional electrical system functions logic control and electro proportional control.
- System real-time monitoring and automatic fault diagnosis available.
- Hoisting, slewing and luffing are controlled by two electro proportional joysticks which can be automatically reset in multiple directions; telescoping is operated by floor-mount pedal; counterweight lifting, operator' s cab swing, lifting and tilting, slewing platform locking are all controlled by the control panel.
- The display is connected to the controller by CAN Bus, and it functions digital adjustment and display of electro proportional control parameters, display of electro proportional system fault codes, and display of real-time data of hydraulic system.



Safety equipment

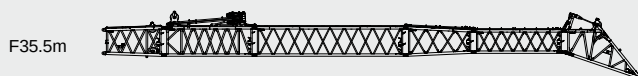
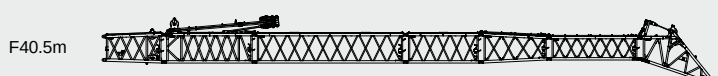
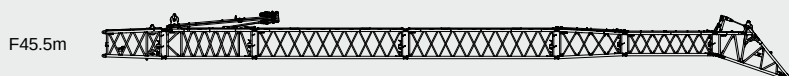
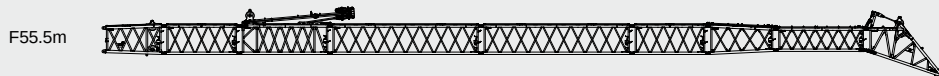
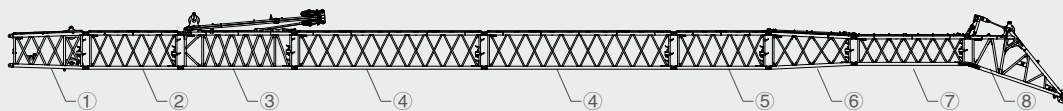
- The LMI calculation system ensures load accuracy ranging ± 3% through online empty-load calibration.
- Hydraulic system is configured with hydraulic balance valve, relief valve, two-way hydraulic lock to achieve stability and reliability.
- The main winch is equipped with three-circle protector to prevent wire rope from over-hoist-down.
- The height limit switch at boom and jib heads prevents wire rope from over-hoist-up.
- Anemometer at boom head detects wind speed for operation safety.
- Superlift rope tensioning protection program and load protection program available.

Counterweight Combinations



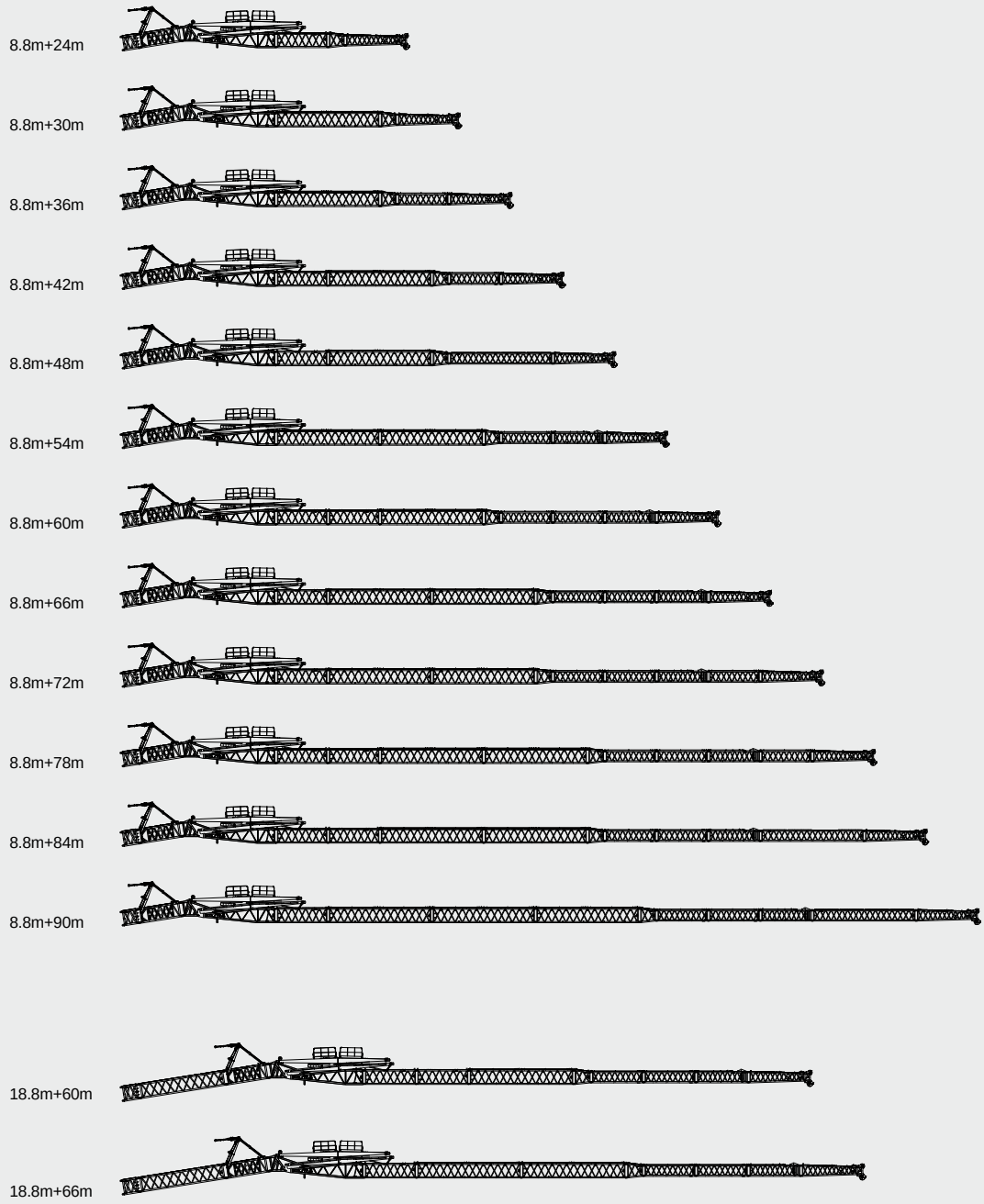
Total weight (t)	Combinations
30	① + ⑦ + ⑧
45	① + ② + ⑦ + ⑧
60	① + ② + ③ + ⑦ + ⑧
75	① + ② + 2 × ③ + ⑦ + ⑧
90	① + ② + 3 × ③ + ⑦ + ⑧
105	① + ② + 4 × ③ + ⑦ + ⑧
120	① + ② + 4 × ③ + ④ + ⑦ + ⑧
140	① + ② + 4 × ③ + ④ + 2 × ⑤ + ⑦ + ⑧
160	① + ② + 4 × ③ + ④ + 4 × ⑤ + ⑦ + ⑧
190	① + ② + 4 × ③ + ④ + 6 × ⑤ + 2 × ⑥ + ⑦ + ⑧

Fixed Jib Combinations

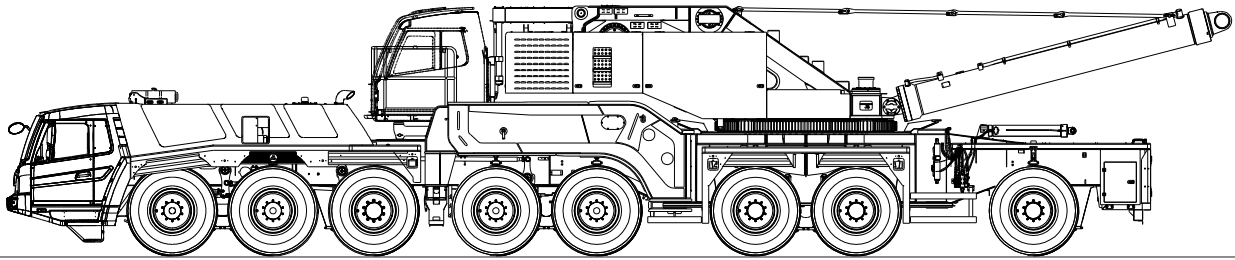


Variable length	Combinations
55.5m	① + ② + ③ + ④ + ④ + ⑥ + ⑤ + ⑦ + ⑧
45.5m	① + ③ + ④ + ④ + ⑥ + ⑦ + ⑧
40.5m	① + ③ + ④ + ⑤ + ⑥ + ⑦ + ⑧
35.5m	① + ③ + ④ + ⑥ + ⑦ + ⑧

Luffing Jib Combinations



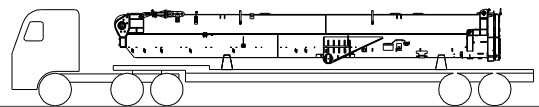
Transport Solutions T5SF 55.5m (140t CW)



87t



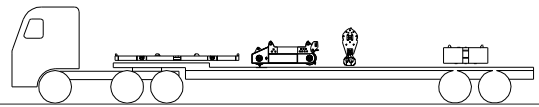
Outrigger pad*4,
Outrigger float*2,
Rear outriggers
26.38t



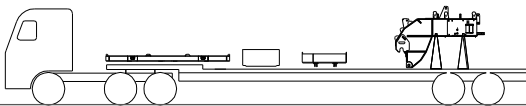
Boom sections 1-2
28.7t



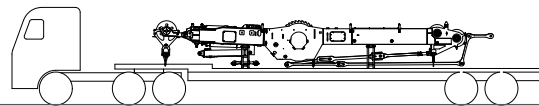
Boom sections 3-5
22.8t



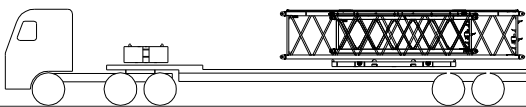
CW ① , T5 boom head, 80t hook, CW ⑤
28.61t



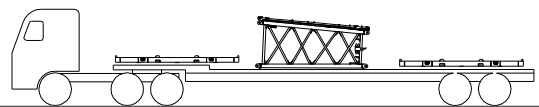
CW ② , CW ⑦ , CW frame ⑧ , CW tray*2
31t



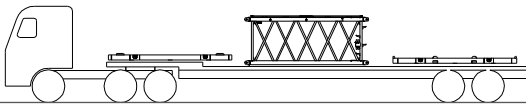
Superlift assembly
20t



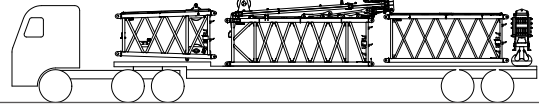
CW ⑤ , 10m jib insert, 6m jib insert, CW ③
29.46t



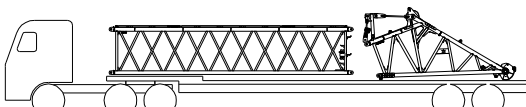
CW ③ *2, 4.5m tapered jib insert
31.4t



CW ④ , 5m jib insert, CW ③
31.2t



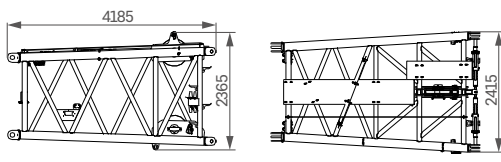
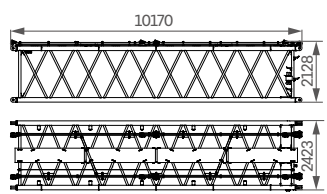
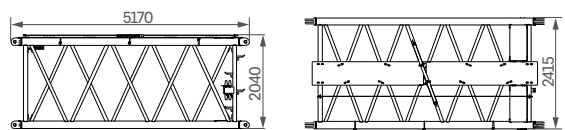
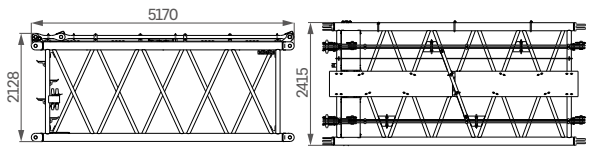
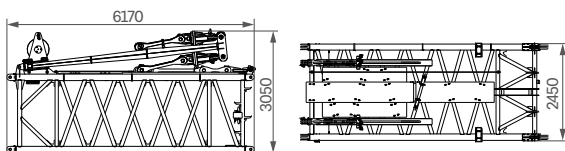
4m jib base, 6m jib insert (with superlift connector),
5m jib insert (with pendant bar), 130t hook
11.28t



10m jib insert, 5m jib head
5.74t

Note: the transport plan above is for 5-section boom with 55.5m fixed jib, and 140t counterweights. The transport plan above is given in line with the procedures of on-site assembly.

Transport Dimensions (Full Configuration)

ITEM		SCHEMATIC (MM×MM×MM)	WEIGHT (T)	QUANTITY
FIXED JIB	4M JIB BASE		2.12	1
	10M JIB INSERT		2.74	2
	5M JIB INSERT		1.21	1
	5M JIB INSERT (WITH PENDANT BAR)		1.5	1
	6M SUPERLIFT CONNECTOR		4.66	1

Transport Dimensions (Full Configuration)

ITEM		SCHEMATIC (MM×MM×MM)	WEIGHT (T)	QUANTITY
FIXED JIB	4.5M TAPERED INSERT		1.4	1
	6M JIB INSERT		1.72	1
	5M JIB HEAD		3	1
BOOM	BOOM SECTIONS 1-2 TELESCOPING CYLINDER		28.7	1
	BOOM SECTIONS 3-5		22.8	1

Transport Dimensions (Full Configuration)

ITEM		SCHEMATIC (MM×MM×MM)	WEIGHT (T)	QUANTITY
BOOM	FIVE-SECTION-BOOM HEAD		2.89	1
	BOOM SECTIONS 6-8 (OPTIONAL)		17.5	1
SUPERLIFT	SUPERLIFT ASSEMBLY		20	1
HOOK	12.5T HOOK (OPTIONAL)		0.53	1
	32T HOOK (OPTIONAL)		0.52+1.02 (added with hook counterweight)	1

Transport Dimensions (Full Configuration)

ITEM		SCHEMATIC (MM×MM×MM)	WEIGHT (T)	QUANTITY
HOOK	80T HOOK		0.72+1.26 (added with hook counterweight)	1
	130T HOOK		3+4 (added with wind power overhauling device)	1
	160T HOOK (OPTIONAL)		1.63+1.26 (added with hook counterweight)	1
	250T HOOK (OPTIONAL)		2.7+1.36 (added with hook counterweight)	1
COUNTERWEIGHT	CW ①		15	1

Transport Dimensions (Full Configuration)

ITEM		SCHEMATIC (MM×MM×MM)	WEIGHT (T)	QUANTITY
COUNTERWEIGHT	CW ②		15	1
	CW ③		15	4
	CW ④		15	1
	CW ⑤ (FOUR BLOCKS OPTIONAL)		10	6
	CW ⑥ (OPTIONAL)		5	2

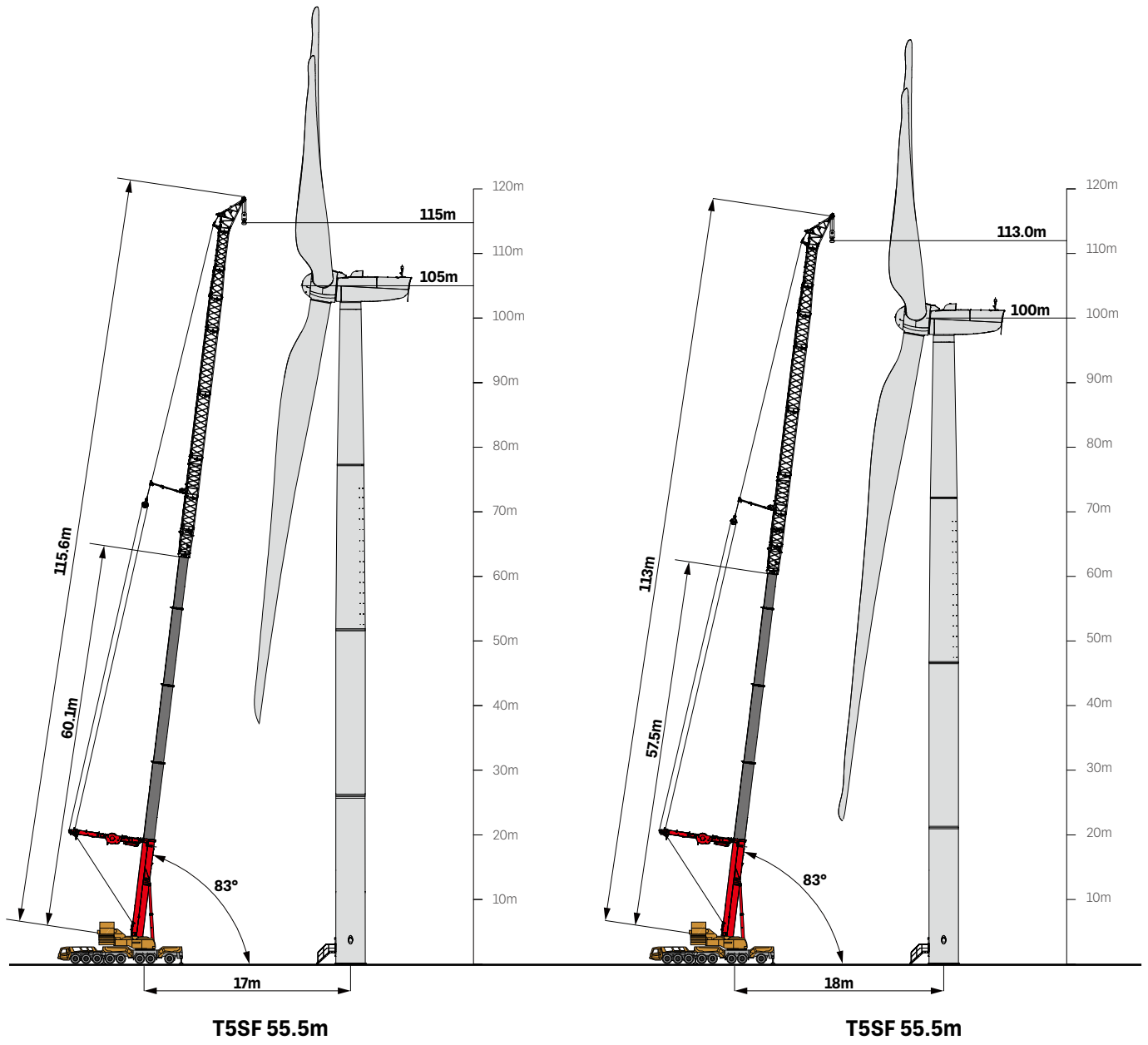
Transport Dimensions (Full Configuration)

ITEM		SCHEMATIC (MM×MM×MM)	WEIGHT (T)	QUANTITY
COUNTERWEIGHT	CW ⑦		7.5	1
	CW FRAME ⑧		7.5	1
	CW TRAY		0.59	2
WINCH	AUXILIARY WINCH ASSEMBLY (OPTIONAL)		2.85	1
OUTRIGGER	OUTRIGGER PADS		3.92	4

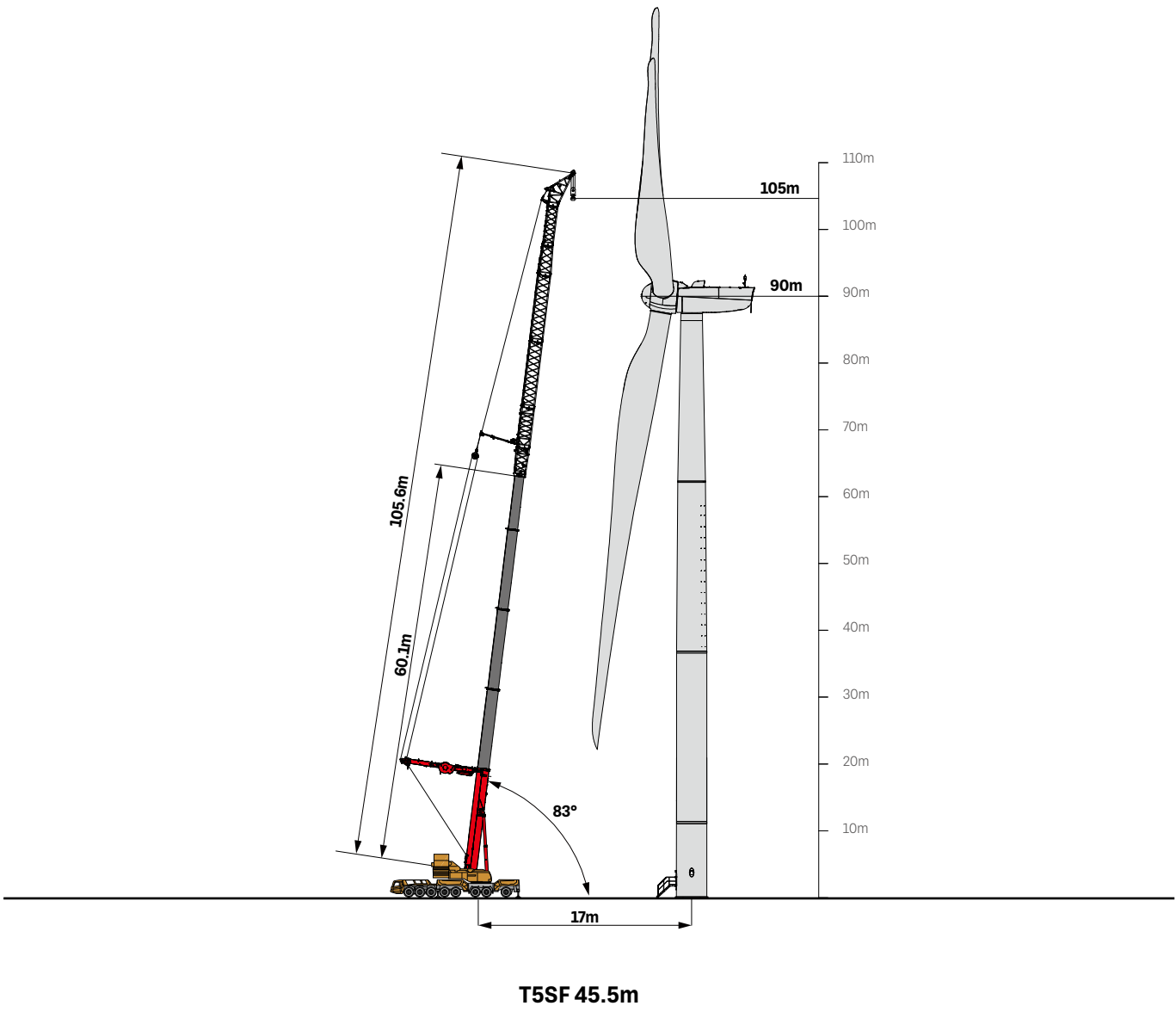
Transport Dimensions (Full Configuration)

ITEM		SCHEMATIC (MM×MM×MM)	WEIGHT (T)	QUANTITY
OUTRIGGER	REAR OUTRIGGERS		5.14	2
	OUTRIGGER FLOATS		0.11	4/2

Wind Farm Working Configurations

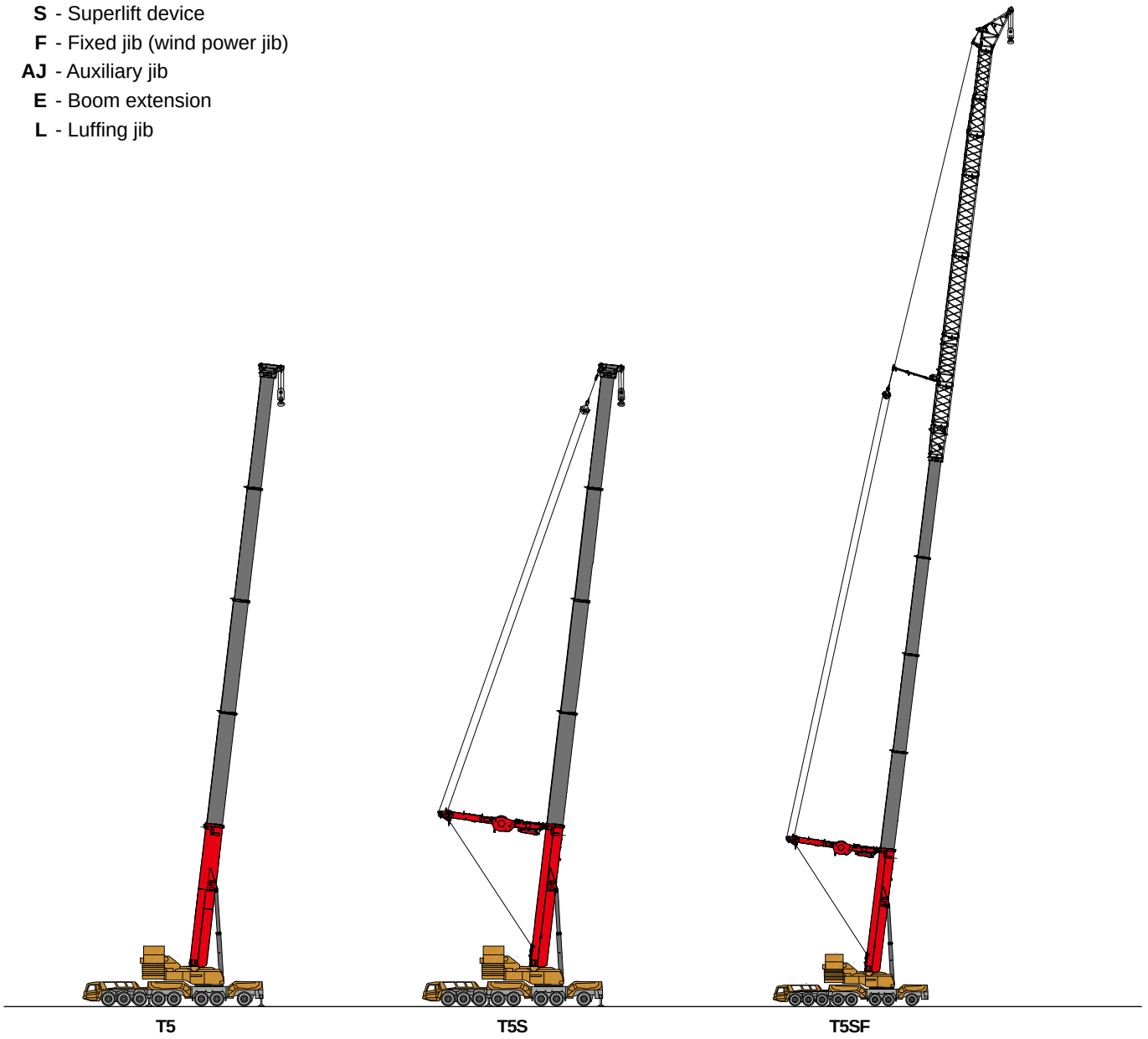


Wind Farm Working Configurations

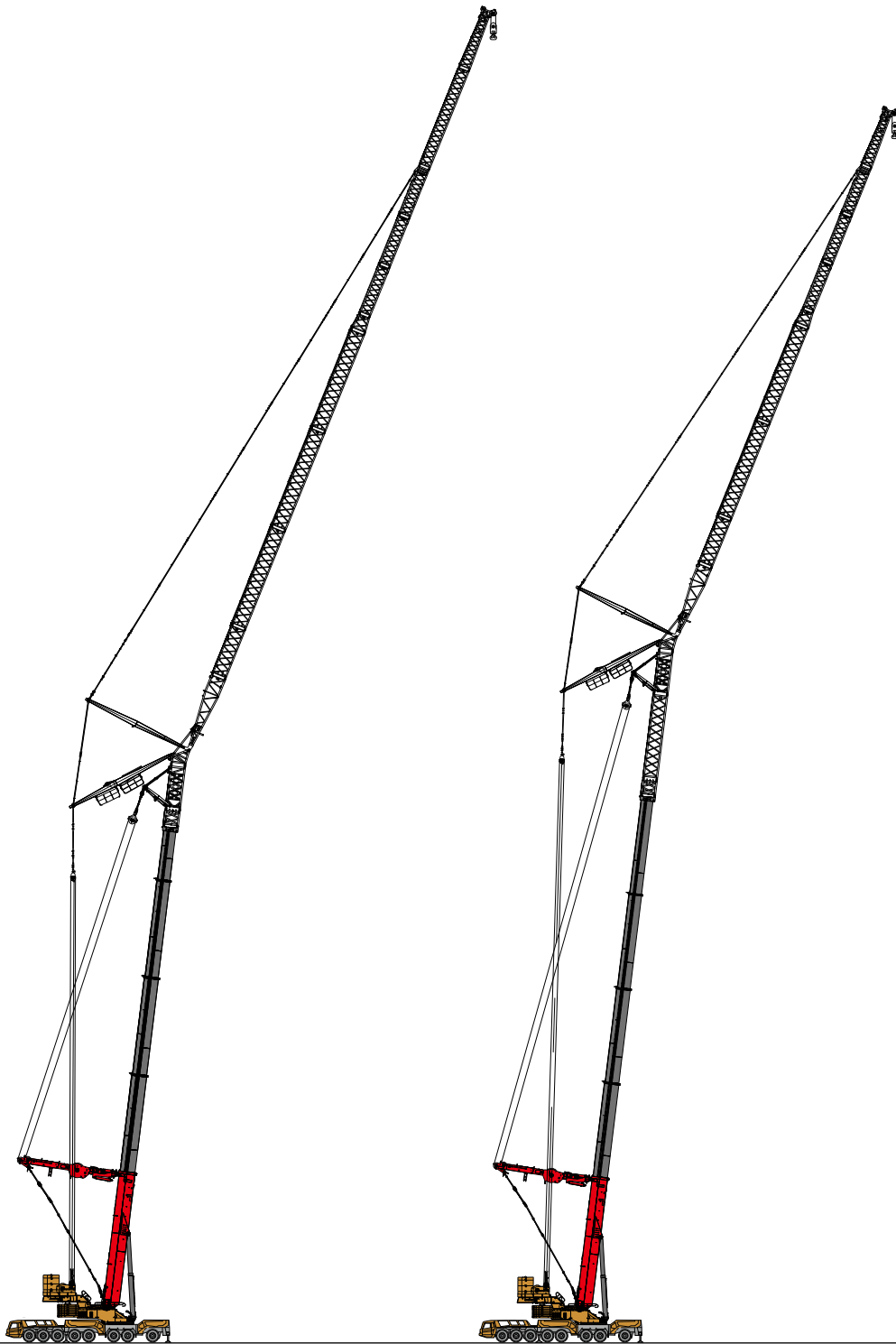


Working Conditions & Codes Description

- T - Telescopic boom
- T5 - Independent five section boom
- S - Superlift device
- F - Fixed jib (wind power jib)
- AJ - Auxiliary jib
- E - Boom extension
- L - Luffing jib



Working Conditions & Codes Description



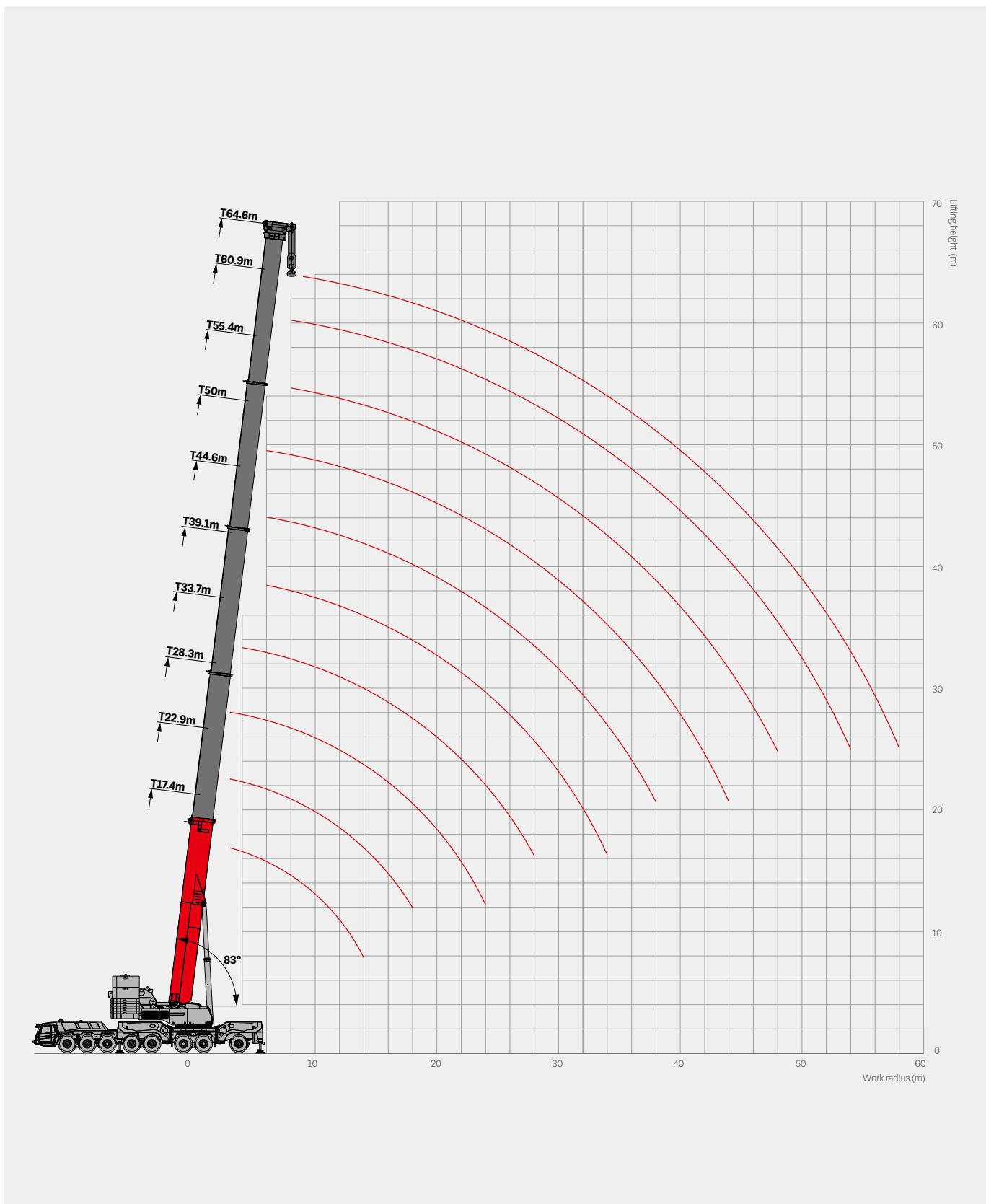
T5SEL
54.6m+8.8m+90m

T5SEL
60.1m+18.8m+66m

Working Conditions & Codes Description



Operating Range-Telescopic Boom (T5)



Load Chart-Telescopic Boom (T5)



Unit: metric ton

Radius (m)	17.4		22.9	28.3	33.7	39.1	39.1	44.6	Radius (m)
	*	360°							
3	900	250	250	250					3
3.5		250	250	250					3.5
4		250	250	250	250	243			4
4.5		250	250	250	250	243	243		4.5
5		250	250	250	250	243	243		5
6		250	250	250	250	243	233	193	6
7		250	250	250	250	243	210	176	7
8		250	250	250	250	232	190	159	8
9		232	232	232	232	214	175	147	9
10		214	213	213	214	198	162	136	10
12		184	182	183	184	174	140	119	12
14		145	152	153	154	152	123	104	14
16			130	131	132	134	109	93	16
18			112	113	115	117	98	83	18
20				99	101	103	89	75	20
22				88	90	92	80	67	22
24				77	79	82	73	61	24
26					69	72	67	56	26
28					61	64	59	52	28
30						57	53	48.7	30
32						51	47.3	45.1	32
34						46.4	42.3	42.7	34
36								40	36
38								36.6	38
Rope rate	22	22	22	22	22	21	21	16	Rope rate
Tele status	0000	0000	1000	1100	1110	1111	2110	2111	Tele status
Wind speed limit	14.3	14.3	14.3	12.8	12.8	12.8	12.8	11.1	Wind speed limit

Remark: rating with * indicates load over rear.

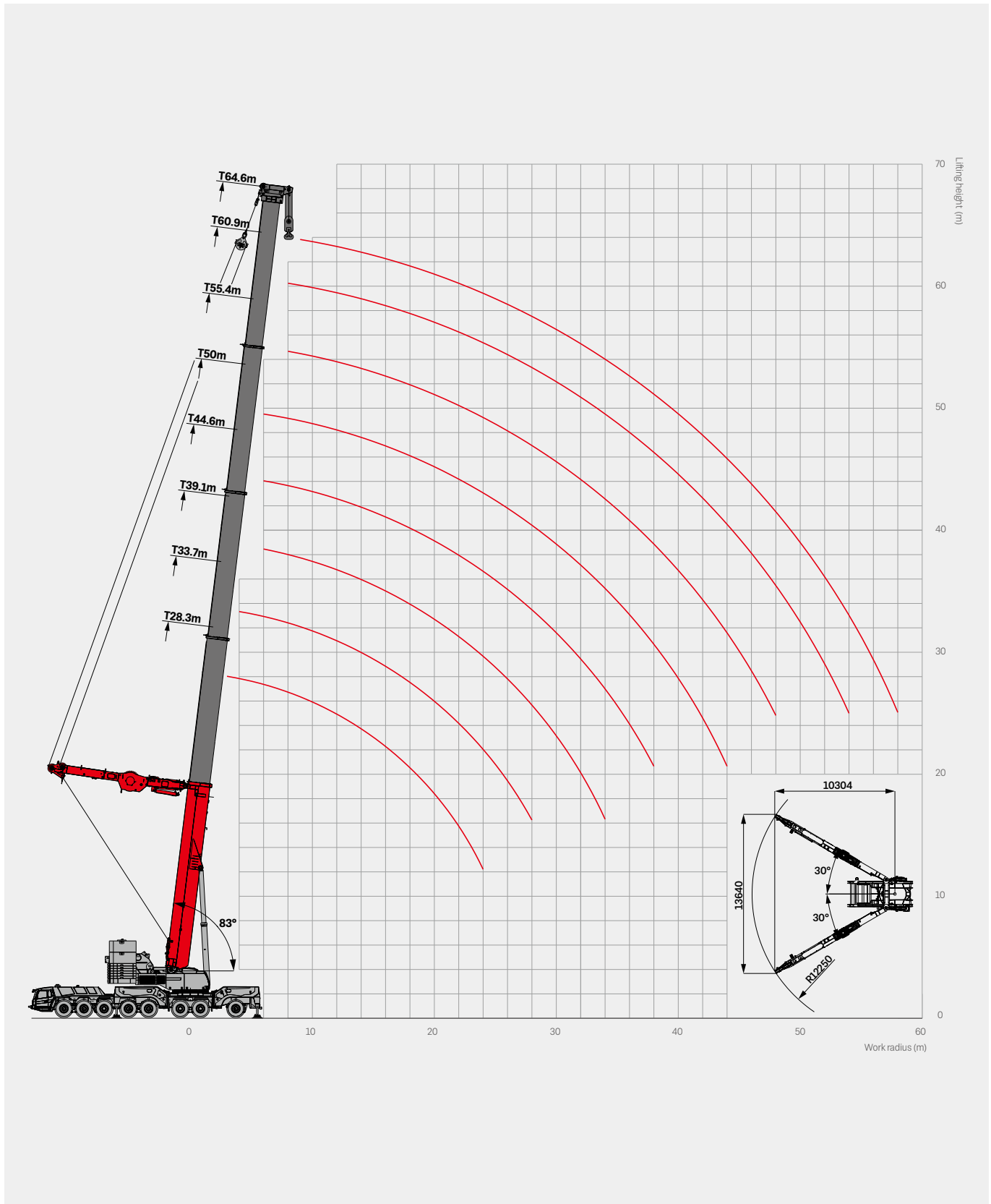
Load Chart-Telescopic Boom (T5)



Unit: metric ton

Radius (m)	44.6	50	50	55.4	60.9	64.6	Radius (m)
6	193	175					6
7	175	161	160	142			7
8	161	149	147	133	119		8
9	147	137	137	122	112	101	9
10	135	128	126	114	105	95	10
12	118	111	111	101	94	85	12
14	103	97	97	89	84	77	14
16	91	87	87	80	75	69	16
18	81	78	77	72	69	64	18
20	74	71	69	65	62	58	20
22	66	65	65	60	58	54	22
24	60	58	58	54	53	49.3	24
26	55	53	53	51	49.4	46	26
28	50	50	49.2	46.3	46.5	43.2	28
30	47.8	46.4	46.1	44.1	42.8	40.5	30
32	44	43.3	42.5	41.3	40.2	37.8	32
34	41.3	40.6	39.9	38.1	37.6	35	34
36	38.1	37.5	37.4	35.7	35.3	33.3	36
38	34.8	35.1	35.1	33.5	33	31.2	38
40		32.9	32.3	31.4	31	29.3	40
42		30.3	29.6	29.4	29.5	27.9	42
44		27.6	27	27.6	27.7	26.1	44
46				26	26	24.5	46
48				23.9	24.8	23.3	48
50					23.1	22.2	50
52					21.4	20.9	52
54					19.7	19.7	54
56						18.1	56
58						16.7	58
Rope rate	16	15	13	12	10	8	Rope rate
Tele status	2210	2211	2220	2221	2222	3333	Tele status
Wind speed limit	11.1	11.1	11.1	11.1	11.1	9	Wind speed limit

Operating Range-Telescopic Boom with Superlift Device (T5S)



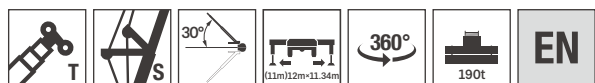
Load Chart-Telescopic Boom with Superlift Device (T5S)



Unit: metric ton

Radius (m)	39.1	39.1	39.1	44.6	44.6	44.6	Radius (m)
4.5	243	243	243				4.5
5	243	243	243				5
6	243	243	243	224	224	224	6
7	230	243	243	224	224	224	7
8	213	243	243	220	224	224	8
9	197	230	233	200	217	218	9
10	180	210	213	183	200	202	10
12	157	179	182	158	174	176	12
14	136	156	159	141	153	155	14
16	120	137	141	125	136	139	16
18	108	122	126	111	122	124	18
20	95	108	111	101	110	112	20
22	85	96	99	91	98	100	22
24	78	85	88	81	88	89	24
26	71	76	79	74	79	80	26
28	65	69	72	67	71	73	28
30	59	62	65	60	65	66	30
32	53	56	59	54	59	60	32
34		49	52	49.6	54	55	34
36				45	49.5	51	36
38				40.5	45.4	47.2	38
Rope rate	21	21	21	19	19	19	Rope rate
Tele status	2110	1111	0022	2210	1112	0122	Tele status
Wind speed limit	12.8	12.8	12.8	11.1	11.1	11.1	Wind speed limit

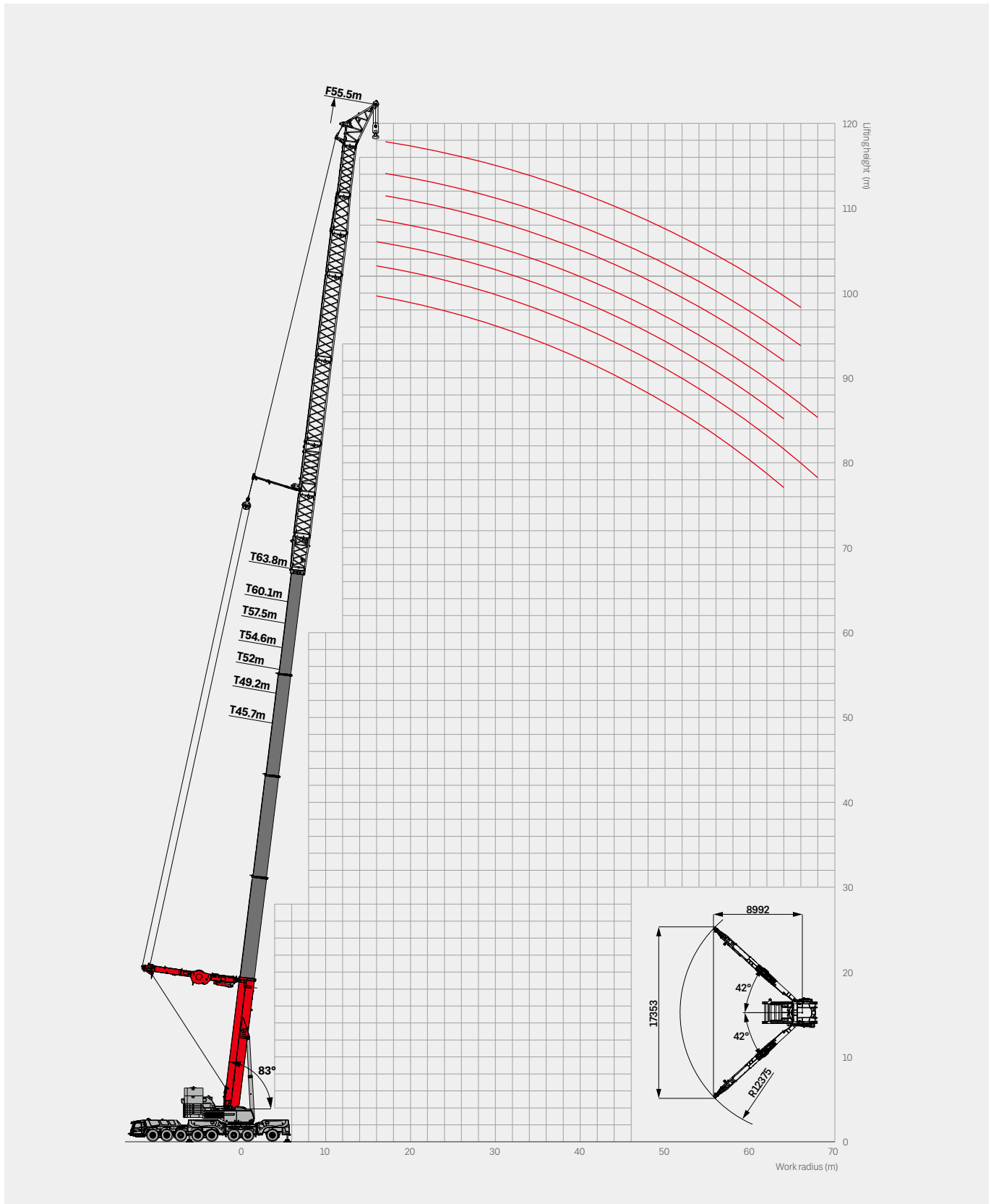
Load Chart-Telescopic Boom with Superlift Device (T5S)



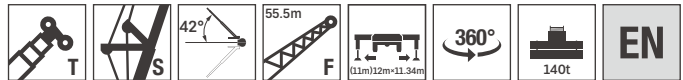
Unit: metric ton

Radius (m)	50	50	50	55.4	55.4	60.9	64.6	Radius (m)
7	204	204	204	182	182			7
8	204	204	204	182	182	160		8
9	194	202	201	171	182	153	142	9
10	181	189	189	161	173	144	134	10
12	160	165	166	141	152	128	120	12
14	140	145	146	126	136	115	108	14
16	127	131	131	113	121	102	98	16
18	114	117	119	101	110	94	89	18
20	103	108	107	92	101	85	82	20
22	95	97	99	84	92	79	75	22
24	85	89	89	76	84	72	69	24
26	76	80	80	71	78	67	64	26
28	68	72	73	65	73	63	60	28
30	62	66	66	61	66	58	56	30
32	56	60	60	57	60	54	52	32
34	51	55	55	53	55	51	48.9	34
36	46.9	50	51	48.8	51	48.4	46.6	36
38	42.7	46.7	47.1	44.7	47.2	45.3	43.7	38
40	38.5	43.1	43.4	40.8	43.5	42.6	41	40
42	34.8	39.3	39.6	37	39.7	38.9	39	42
44	31.3	35.8	36.2	33.6	36.4	35.5	35.9	44
46				30.5	33.3	32.5	32.8	46
48				27.8	30.5	29.7	30	48
50						27.2	27.5	50
52						24.8	25.2	52
54						22.7	23.1	54
56							21.1	56
58							19.3	58
Rope rate	17	17	17	15	15	13	12	Rope rate
Tele status	2220	1122	0222	2221	1222	2222	3333	Tele status
Wind speed limit	11.1	11.1	11.1	11.1	11.1	11.1	9	Wind speed limit

Operating Range-Telescopic Boom with Superlift Device with Wind Power Jib (T5SF 55.5m)



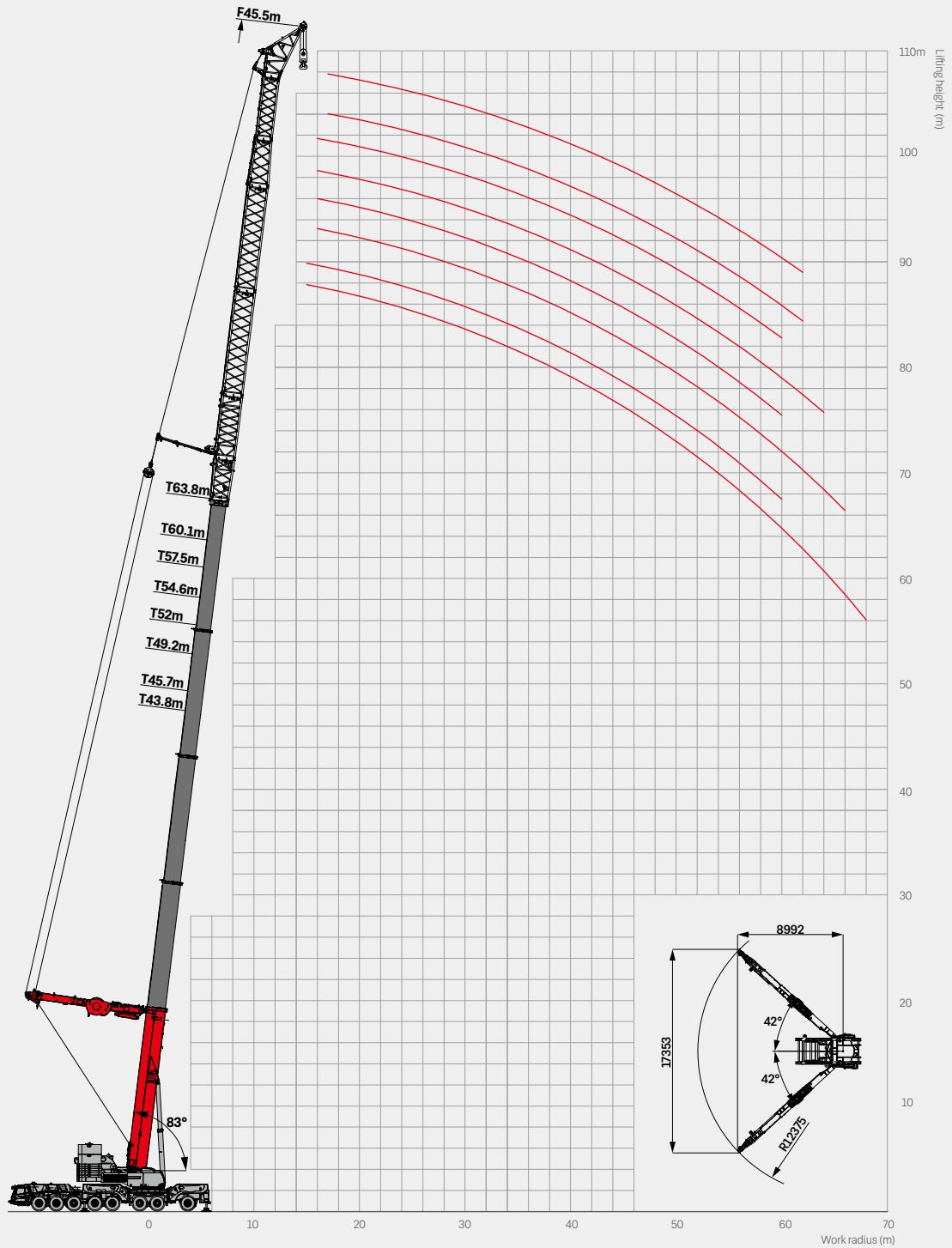
Load Chart-Telescopic Boom with Superlift Device with Wind Power Jib(Installation Work)(T5SF 55.5m)



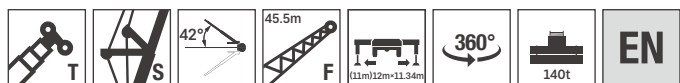
Unit:metric ton

Radius (m)	45.7	49.2	52	54.6	57.5	60.1	63.8	Radius (m)
	101.2	104.7	107.5	110.1	113	115.6	119.3	
16	110	100	105	99				16
17	110	105	110	115	115	110	100	17
18	110	100	105	105	115	110	100	18
19	104	95	95	95	98	98	90	19
20	97	83	89	86	90	90	82	20
22	86	77	82	81	81	76	74	22
24	76	72	76	75	75	71	69	24
26	68	67	68	70	68	66	64	26
28	60	62	60	62	60	60	60	28
30	53	55	53	55	53	53	53	30
32	46.8	49.7	46.8	48.9	47	47.5	47.4	32
34	41.6	44.4	41.6	43.6	41.9	42.2	42.1	34
36	37	39.9	37	39	37.2	37.7	37.5	36
38	33.1	35.8	33.1	35.1	33.3	33.6	33.5	38
40	29.6	32.3	29.6	31.6	29.8	30.1	30	40
42	26.4	29.1	26.3	28.4	26.5	26.9	26.8	42
44	23.6	26.2	23.6	25.5	23.8	24.1	24	44
46	21.1	23.7	21	23	21.2	21.5	21.5	46
48	18.7	21.4	18.8	20.7	19	19.2	19.2	48
50	16.6	19.3	16.6	18.6	16.8	17.2	17	50
52	14.8	17.4	14.7	16.7	15	15.2	15.2	52
54	13	15.7	13	15	13.2	13.5	13.4	54
56	11.4	14	11.4	13.3	11.5	11.9	11.7	56
58	9.9	12.5	9.9	11.8	10.1	10.4	10.3	58
60	8.5	11.2	8.5	10.4	8.7	9	8.8	60
62	7.2	9.9	7.1	9.2	7.3	7.6	7.5	62
64	5.9	8.7	5.8	7.9	6	6.4	6.2	64
66		7.5		6.7		5.2	5	66
68		6.4		5.6				68
Rope rate	9	8	8	8	8	8	7	Rope rate
Tele status	3310	0222	3330	1222	3331	2222	3333	Tele status
Wind speed limit	9	9	9	9	9	9	9	Wind speed limit

Operating Range-Telescopic Boom with Superlift Device with Wind Power Jib (T5SF 45.5m)



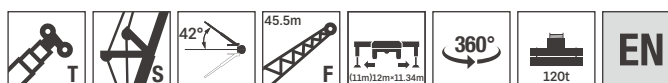
Load Chart-Telescopic Boom with Superlift Device with Wind Power Jib(Installation Work)(T5SF 45.5m)



Unit: metric ton

Radius (m)	43.8	45.7	49.2	52	54.6	57.5	60.1	63.8	Radius (m)
	89.3	91.2	94.7	97.5	100.1	103	105.6	109.3	
16	102	115	103	108	106	108			16
17	97	115	99	106	102	108	120	105	17
18	94	112	95	102	99	103	105	98	18
19	90	104	92	98	95	98	95	90	19
20	86	98	88	94	92	95	92	85	20
22	80	86	82	86	86	86	81	79	22
24	74	77	76	77	79	77	76	73	24
26	69	68	70	68	71	69	69	68	26
28	64	60	63	60	62	60	61	60	28
30	57	53	56	53	55	53	53	53	30
32	51	46.9	50	47	49.3	47.3	47.8	47.6	32
34	46.1	41.7	44.7	41.8	44	42.1	42.5	42.4	34
36	41.5	37.2	40.2	37.3	39.5	37.5	38	37.8	36
38	37.4	33.1	36.2	33.2	35.5	33.6	34	33.9	38
40	33.9	29.6	32.6	29.8	31.9	30	30.5	30.3	40
42	30.8	26.5	29.5	26.6	28.8	26.9	27.4	27.2	42
44	28	23.7	26.7	23.8	26	24	24.5	24.4	44
46	25.4	21.1	24.2	21.3	23.5	21.5	22	21.8	46
48	23.2	18.9	21.9	18.9	21.2	19.2	19.7	19.6	48
50	21	16.8	19.7	16.9	19	17.2	17.6	17.5	50
52	19.1	14.9	17.9	15	17.2	15.2	15.7	15.6	52
54	17.4	13.2	16.1	13.3	15.4	13.6	13.9	13.9	54
56	15.8	11.6	14.6	11.6	13.8	11.9	12.4	12.3	56
58	14.3	10.1	13.1	10.2	12.3	10.5	10.9	10.8	58
60	13	8.8	11.7	8.8	11	9.1	9.6	9.4	60
62	11.7	7.4	10.5	7.4	9.6	7.7	8.2	8	62
64	10.5	6.2	9.3	6.2	8.5	6.5	6.9	6.7	64
66	9.4	5	8.1	5	7.3	5.3	5.7	5.6	66
68	8.4		7		6.2				68
Rope rate	8	9	8	8	8	8	8	7	Rope rate
Tele status	0122	3310	0222	3330	1222	3331	2222	3333	Tele status
Wind speed limit	9	9	9	9	9	9	9	9	Wind speed limit

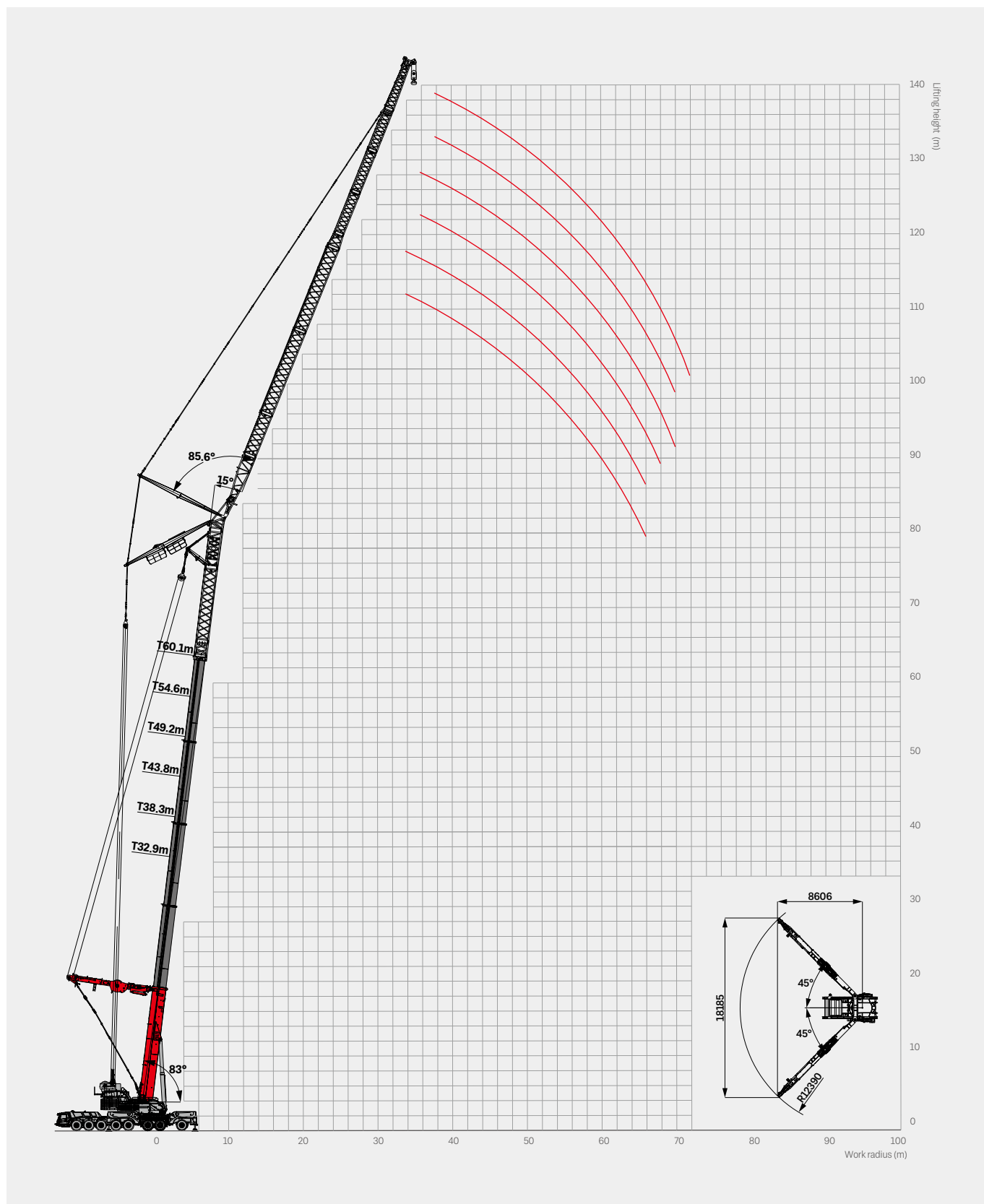
Load Chart-Telescopic Boom with Superlift Device with Wind Power Jib(Overhauling Work)(T5SF 45.5m)



Unit: metric ton

Radius (m)	43.8	45.7	49.2	52	54.6	57.5	60.1	63.8	Radius (m)
	89.3	91.2	94.7	97.5	100.1	103	105.6	109.3	
16	102	115	103	108	106	108			16
17	97	114	99	106	102	105	106	98	17
18	94	106	95	102	99	101	99	95	18
19	90	99	92	98	95	96	95	88	19
20	86	93	88	93	92	93	92	85	20
22	80	81	82	81	83	81	81	79	22
24	73	69	72	69	71	69	70	70	24
26	64	59	63	60	62	60	60	60	26
28	56	52	55	52	54	52	52	52	28
30	50	45.6	48.7	45.7	48	46	46.4	46.3	30
32	44.4	40	43.2	40.1	42.4	40.5	41	40.8	32
34	39.6	35.3	38.4	35.4	37.6	35.8	36.2	36	34
36	35.5	31.1	34.3	31.2	33.5	31.5	32.1	31.9	36
38	31.9	27.5	30.6	27.7	29.9	27.9	28.4	28.3	38
40	28.7	24.3	27.4	24.4	26.6	24.7	25.2	25.1	40
42	25.8	21.6	24.5	21.6	23.8	21.9	22.3	22.2	42
44	23.2	19	21.9	19.1	21.2	19.4	19.8	19.7	44
46	20.9	16.7	19.7	16.8	18.9	17.1	17.5	17.4	46
48	18.9	14.7	17.6	14.7	16.9	14.9	15.4	15.3	48
50	16.9	12.7	15.7	12.8	14.9	13.1	13.5	13.4	50
52	15.2	11	14	11.1	13.3	11.3	11.8	11.7	52
54	13.6	9.5	12.4	9.5	11.7	9.8	10.2	10	54
56	12.1	8	10.9	8.1	10.2	8.4	8.7	8.7	56
58	10.8	6.6	9.6	6.6	8.8	6.9	7.4	7.2	58
60	9.6	5.3	8.3	5.3	7.6	5.6	6.1	5.9	60
62	8.4		7.2		6.4				62
Rope rate	8	9	8	8	8	8	8	7	Rope rate
Tele status	0122	3310	0222	3330	1222	3331	2222	3333	Tele status
Wind speed limit	9	9	9	9	9	9	9	9	Wind speed limit

Operating Range-Telescopic Boom with Superlift with Extension with Luffing Jib (T5SEL 18.8+66m)



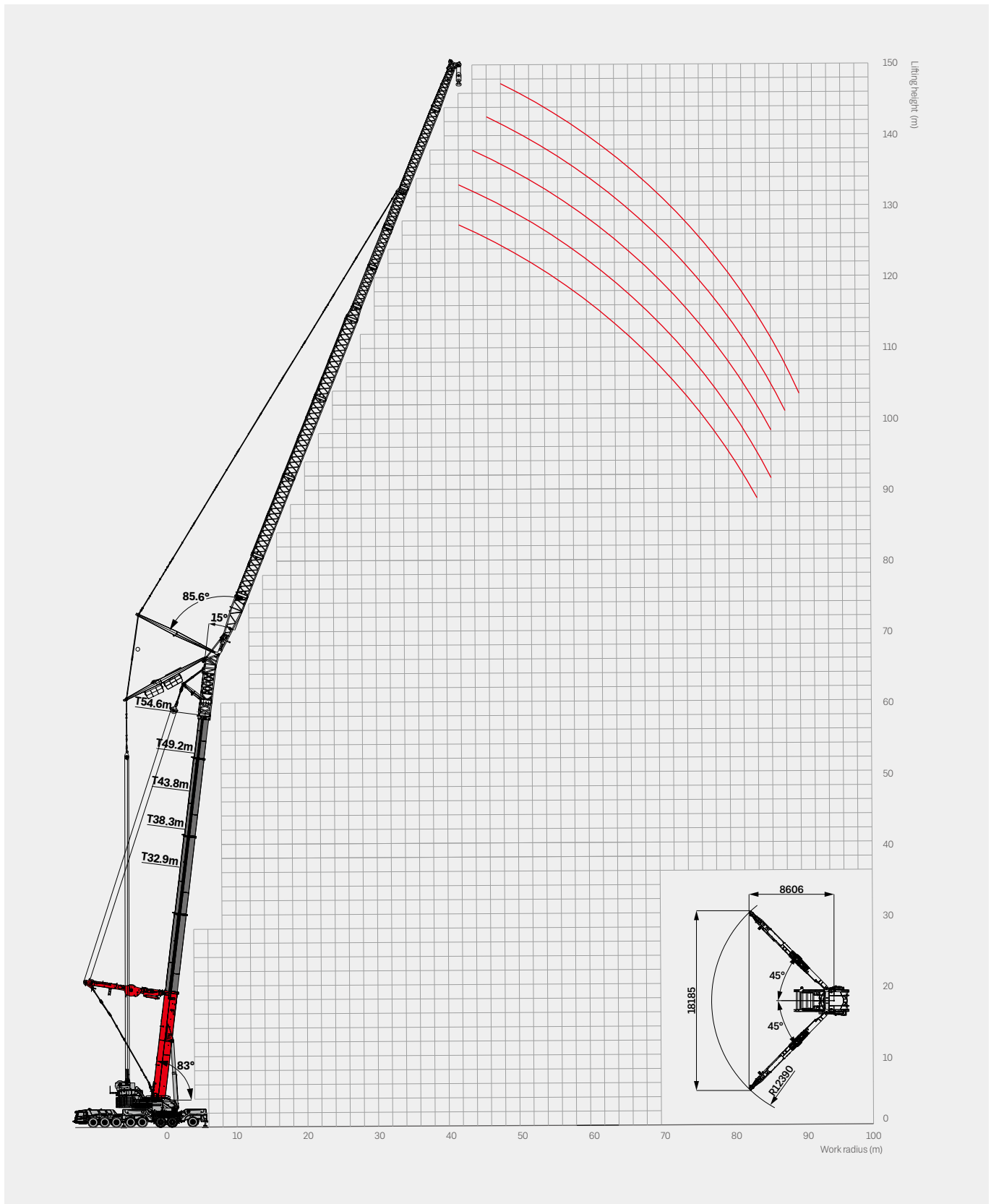
Load Chart-Telescopic Boom with Superlift with Extension with Luffing Jib(T5SEL 18.8+66m)



Unit: metric ton

Radius (m)	32.9	38.3	43.8	49.2	54.6	60.1	32.9	38.3	43.8	49.2	54.6	60.1	32.9	38.3	43.8	49.2	54.6	60.1	Radius (m)	
	18.8	18.8	18.8	18.8	18.8	18.8	18.8	18.8	18.8	18.8	18.8	18.8	18.8	18.8	18.8	18.8	18.8	18.8		18.8
	66	66	66	66	66	66	66	66	66	66	66	66	66	66	66	66	66	66	66	
32	31.7	32.0																		32
34	31.2	32.0	30.9	29.0																34
36	30.9	32.0	29.7	29.0	26.5	24.7														36
38	30.6	31.8	29.4	29.0	26.1	24.7														38
40	30.4	31.4	29.1	28.9	25.8	24.7														40
42	30.4	30.9	28.9	28.5	25.6	24.6														42
44	29.7	30.6	28.6	28.1	25.4	24.3														44
46	29.4	29.5	28.3	27.7	25.1	23.9														46
48	29.2	28.4	28.0	26.8	24.8	23.6	27.9	26.9												48
50	28.1	27.4	27.8	25.8	24.6	22.7	26.5	25.4	23.4											50
52	26.7	26.4	26.8	24.9	24.4	21.7	25.0	24.0	22.2	20.8										52
54	25.4	25.4	25.5	24.0	23.5	20.9	23.8	22.7	20.9	19.5	17.8									54
56	24.2	24.4	24.3	23.1	22.3	20.3	22.7	21.5	19.8	18.3	16.7	15.2								56
58	23.1	23.5	23.2	22.2	21.2	19.2	21.6	20.5	18.8	17.3	15.7	14.1								58
60	22.2	22.6	22.2	21.4	20.2	18.3	20.6	19.5	17.8	16.4	14.8	13.2								60
62	21.2	21.8	21.3	20.6	19.3	17.6	19.7	18.6	17.0	15.4	13.9	12.4								62
64	20.3	20.7	20.4	19.9	18.5	16.8	18.8	17.6	16.1	14.6	13.1	11.5	16.9							64
66			19.6	18.9	17.7	16.2	18.0	16.8	15.3	13.8	12.4	10.8	16.1	15.0						66
68					17.0	15.3	17.1	16.1	14.6	13.1	11.7	10.4	15.4	14.2	13.5					68
70							16.4	15.3	13.8	12.4	11.0	9.4	14.6	13.5	12.8	11.8				70
72									13.2	11.6	10.3	8.7	13.9	12.9	12.2	11.2				72
74										11.0	9.7	8.1	13.3	12.2	11.6	10.6	9.5			74
76												7.5	12.7	11.7	11.0	10.6	9.0	7.8		76
78													12.1	11.1	10.5	9.5	8.5	7.4		78
80													11.6	10.6	10.0	9.0	8.0	6.9		80
82														10.2	9.5	8.6	7.5	6.4		82
84															9.1	8.1	7.1	6.0		84
86																7.7	6.7	5.7		86
88																		5.3		88
Boom angle(°)	83	83	83	83	83	83	75	75	75	75	75	75	67	67	67	67	67	67	67	Boom angle(°)
Tele status	1110	1111	0122	0222	1222	2222	1110	1111	0122	0222	1222	2222	1110	1111	0122	0222	1222	2222	2222	Tele status
Wind speed limit	9	9	9	9	9	9	9	9	9	9	9	9	9	9	9	9	9	9	9	Wind speed limit

Operating Range-Telescopic Boom with Superlift with Extension with Luffing Jib (T5SEL 8.8+90m)



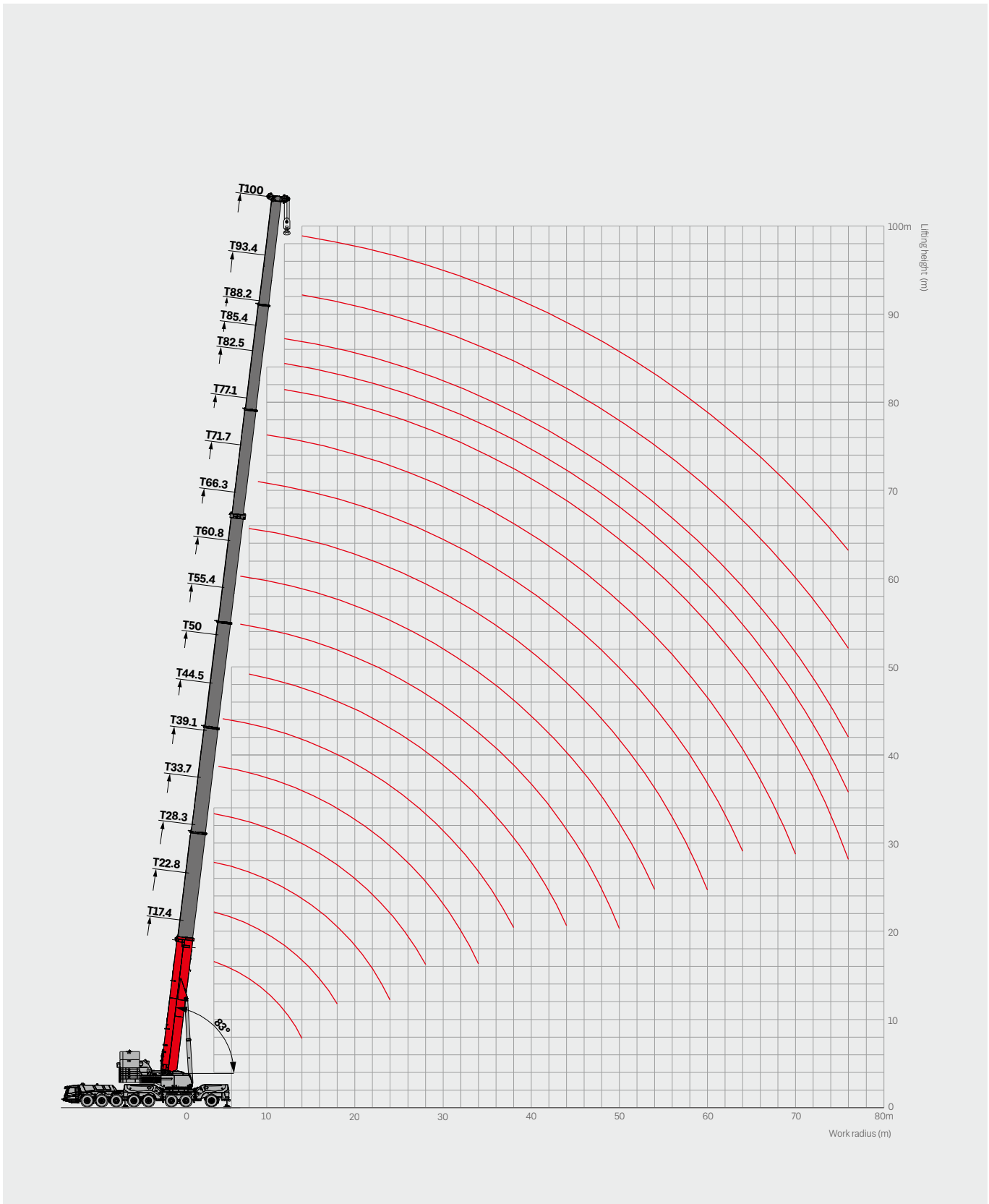
Load Chart-Telescopic Boom with Superlift with Extension with Luffing Jib(T5SEL 8.8+90m)



Unit: metric ton

Radius (m)	32.9	38.3	43.8	49.2	54.6	32.9	38.3	43.8	49.2	Radius (m)
	8.8 90	8.8 90	8.8 90	8.8 90	8.8 90	8.8 90	8.8 90	8.8 90	8.8 90	
42	14.7	13.3								42
44	14.3	12.9	12.2							44
46	13.9	12.6	11.9	11.1						46
48	13.6	12.3	11.6	10.8	10.0					48
50	13.2	12.0	11.3	10.6	9.8					50
52	12.9	11.7	11.0	10.3	9.5					52
54	12.5	11.4	10.7	10.0	9.3					54
56	12.3	11.2	10.4	9.8	9.1					56
58	12.0	10.8	10.3	9.6	8.8					58
60	11.6	10.5	10.0	9.3	8.7	11.5				60
62	11.4	10.3	9.7	9.1	8.4	11.3	10.4			62
64	11.2	10.1	9.5	8.9	8.2	11.0	10.2	9.7		64
66	10.9	9.9	9.3	8.7	8.0	10.8	10.0	9.5	8.9	66
68	10.7	9.7	9.1	8.6	7.8	10.7	9.8	9.3	8.7	68
70	10.6	9.6	8.9	8.4	7.7	10.5	9.7	9.2	8.6	70
72	10.4	9.4	8.8	8.3	7.5	10.3	9.5	9.0	8.5	72
74	10.2	9.3	8.7	8.1	7.4	1464	9.3	8.9	8.3	74
76	10.5	9.1	8.6	8.0	7.3	9.9	9.1	8.7	8.1	76
78	9.9	9.0	8.4	7.9	7.2	9.8	9.0	8.6	8.0	78
80	9.7	8.8	8.3	7.8	7.0	9.5	8.9	8.5	7.9	80
82	9.5	8.7	8.1	7.6	7.0	9.1	8.6	8.2	7.8	82
84	9.4	8.6	8.0	7.5	6.8	8.6	8.2	7.8	7.5	84
86		8.5	7.9	7.4	6.7	8.3	7.9	7.4	7.2	86
88				7.3	6.6	7.8	7.6	7.2	6.9	88
90					6.5	7.5	7.2	6.8	6.6	90
92						7.1	6.9	6.5	6.3	92
94						6.7	6.5	6.1	6.0	94
96								5.8	5.7	96
Boom angle(°)	83	83	83	83	83	75	75	75	75	Boom angle(°)
Tele status	1110	1111	0122	0222	1222	1110	1111	0122	0222	Tele status
Wind speed limit	9	9	9	9	9	9	9	9	9	Wind speed limit

Operating Range-Telescopic Boom (T8)



Load Chart-Telescopic Boom (T8)



Unit: metric ton

Radius (m)	17.4	22.8	28.3	33.7	33.7	39.1	39.1	44.5	44.5	50	Radius (m)
3	250	250									3
3.5	250	250	250								3.5
4	250	250	250	132							4
4.5	250	250	250	124	243						4.5
5	250	250	250	118	243	105	220				5
6	250	250	250	107	243	99	220	110			6
7	250	250	250	95	243	85	220	98	214	98	7
8	250	246	245	86	242	75	220	86	214	85	8
9	227	227	226	76	219	64	220	76	214	77	9
10	204	204	204	69	204	60	204	66	198	69	10
12	181	178	177	58	177	50	176	56	175	56	12
14	148	149	149	50	151	43	152	48.6	154	48.8	14
16		126	127	43	128	37.5	129	43.7	131	43.5	16
18		108	109	38	110	33.5	111	39	113	38.7	18
20			94	34.5	95	30	97	34.5	99	34.5	20
22			83	31	84	27	85	31	87	30.7	22
24			73	28.5	74	24.5	76	28.3	78	27.8	24
26				26	64	22.4	66	26	69	25.7	26
28				24	56	20.5	58	23.5	60	23.2	28
30						18.6	51	22	53	21.8	30
32						17.5	44.9	20.5	47.2	20.1	32
34						16.5	39.7	19.3	41.9	18.5	34
36								18.2	37.4	17.4	36
38								17.2	33.4	16	38
40										15	40
42										14.1	42
44										13.2	44
46											46
48											48
50											50
52											52
54											54
56											56
58											58
60											60
62											62
64											64
66											66
68											68
70											70
72											72
74											74
76											76
Rope rate	22	22	22	12	21	9	19	10	18	9	Rope rate
Tele status	0000000	1000000	1100000	0000012	1110000	0000022	1111000	0000122	1111100	0000222	Tele status
Wind speed limit	14.3	12.8	12.8	11.1	11.1	11.1	11.1	11.1	11.1	11.1	Wind speed limit

Load Chart-Telescopic Boom (T8)



Unit: metric ton

Radius (m)	50	55.4	55.4	60.8	60.8	66.3	66.3	71.7	71.7	77.1	Radius (m)
3											3
3.5											3.5
4											4
4.5											4.5
5											5
6											6
7											7
8	192	79	130	100							8
9	187	73	123	95	119	78					9
10	179	68	120	90	109	73	107	66	87		10
12	155	59	112	81	97	66	95	60	79	57	12
14	135	51	103	74	86	60	85	54	72	52	14
16	120	46.8	95	67	78	55	76	49.9	65	48.5	16
18	108	41.7	87	62	69	51	68	45.2	59	44.7	18
20	96	37.8	80	57	62	46.6	61	41.7	54	41.2	20
22	90	34.2	73	53	57	42.9	56	38.5	50	38.3	22
24	86	31.5	68	49.1	51	39.6	51	35.5	45.9	35.6	24
26	71	28.6	62	46	47.8	37.1	47.5	32.7	42.3	33.4	26
28	62	26.3	57	43.1	43.4	34.2	43.7	30.6	39	30.8	28
30	55	24.7	54	40.4	40.7	32.1	40.4	28.2	36	28.9	30
32	49.6	22.8	49.3	37.9	37.6	30.1	37.2	26.5	33.2	27	32
34	44.3	20.9	46.5	35.5	34.6	28.2	34.3	24.8	31	25.4	34
36	39.7	19.7	42.1	33.9	31.9	26.4	31.6	23.3	28.1	23.8	36
38	35.8	18.5	38.1	31.8	29.9	24.8	29.6	21.8	26.3	22.3	38
40	32.2	17.3	34.5	30.3	27.5	23.6	27.3	20.5	24.3	20.5	40
42	29	16.2	31.3	28.8	25.8	22.1	25.6	19.2	22.8	19.3	42
44	26.2	15.2	28.5	27	24.2	20.8	23.6	18	21	18.1	44
46		14.3	25.9	26.2	22.7	19.8	22.1	16.9	19.7	16.9	46
48		13.4	23.6	24.6	20.9	18.5	20.7	15.8	17.8	15.9	48
50		12.5	21.5	23.3	19.4	17.7	18.7	14.8	16.7	14.9	50
52				21.3	17.4	16.8	16.8	13.9	15.1	13.9	52
54				19.5	15.6	15.8	15	13	14.2	13.1	54
56						15.1	13.3	12.2	12.9	12.5	56
58						14.1	11.7	11.4	11.7	11.7	58
60						13.7	10.2	10.7	10.2	11	60
62								10.1	8.8	10.3	62
64								9.6	7.5	9.6	64
66										9	66
68										8.5	68
70										7.9	70
72											72
74											74
76											76
Rope rate	16	7	11	9	10	7	9	6	8	5	Rope rate
Tele status	1111110	0001222	1111111	1111112	2111111	1111122	2211111	1111222	2221111	1112222	Tele status
Wind speed limit	11.1	11.1	11.1	9	9	9	9	9	9	9	Wind speed limit

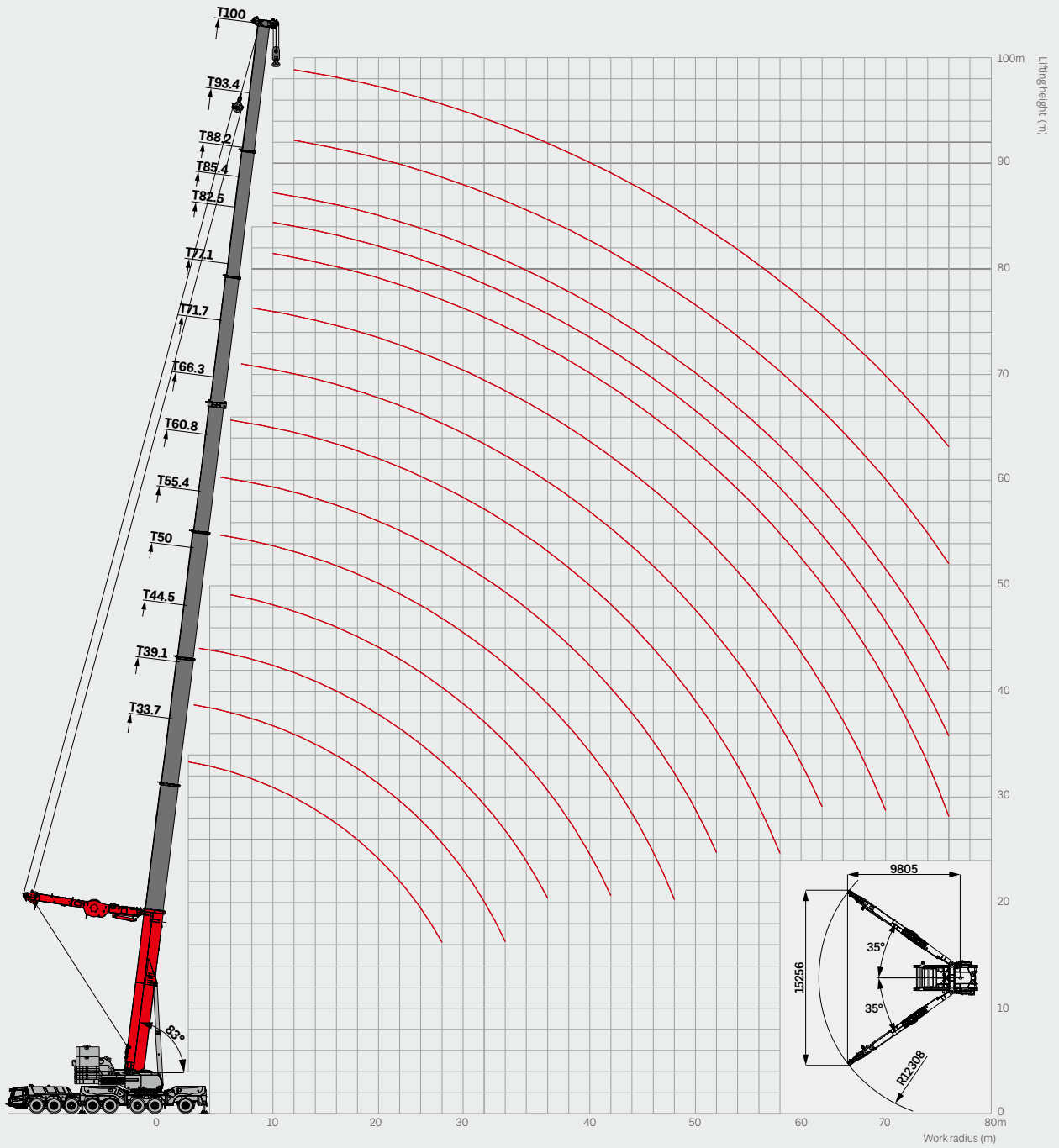
Load Chart-Telescopic Boom (T8)



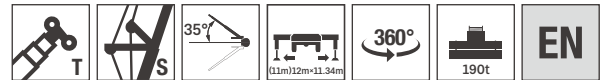
Unit: metric ton

Radius (m)	77.1	82.5	82.5	85.4	88	88	88.2	93.4	100	Radius (m)
3										3
3.5										3.5
4										4
4.5										4.5
5										5
6										6
7										7
8										8
9										9
10										10
12	73									12
14	66	49.9	58	55	47.2	52	50			14
16	61	46	54	51	44.2	48.3	47	39.8	31.8	16
18	55	43.1	50	47.8	41.1	44.9	44	37.6	30.1	18
20	51	40.1	46.7	44.1	38.5	42.1	40.6	35.6	28.6	20
22	47.8	37.6	43.1	41.3	36.1	38.8	38	33.4	27.1	22
24	44.1	35.2	40.4	38.1	34.1	36.4	35.7	31.8	25.6	24
26	40.6	32.8	37.2	35.7	32	34.1	33.4	29.8	24.4	26
28	36.8	30.7	34.3	32.9	30	32	30.8	27.9	23.3	28
30	34.5	28.3	32.2	30.9	28.1	29.5	28.9	26.6	21.8	30
32	31.8	26.6	29.7	28.4	26.4	27.6	27.1	25	20.8	32
34	29.3	24.9	27.4	26.7	24.7	25.9	25	23.4	19.5	34
36	27.4	22.9	25.6	24.6	23.2	23.9	23.4	21.9	18.6	36
38	25.4	21.5	23.6	22.7	21.4	22.4	22	20.6	17.4	38
40	23.4	20.2	22.2	21.2	20	21	20.2	19.3	16.6	40
42	21.9	18.9	20.8	19.9	18.8	19.7	19	18.1	15.5	42
44	19.8	17.7	19.2	18.4	17.6	18.5	17.5	17	14.6	44
46	18.5	16.6	18	17.2	16.5	17	16.4	15.9	13.9	46
48	17.5	15.6	16.3	15.9	15.5	16	15.4	14.9	13.1	48
50	15.8	14.6	15.3	14.9	14.5	15	13.9	14.2	12.2	50
52	14.8	13.7	14.3	13.5	13.6	14	13.1	13.3	11.4	52
54	13.4	12.8	13	12.6	12.8	12.7	12.2	12.5	10.8	54
56	12.6	12	12.2	11.8	12	11.9	11.1	11.7	10	56
58	11.4	11.3	11.4	10.7	11.2	11.2	10.4	11	9.4	58
60	10.6	10.6	10.3	10.1	10.5	10.5	9.4	10.3	8.8	60
62	9.3	9.9	9.4	9.1	9.9	9.5	8.8	9.6	8.3	62
64	8	9	8.8	8.3	8.9	8.9	7.7	8.7	7.7	64
66	6.8	8.4	7.7	7.5	8.4	8.1	7.2	8.2	7.2	66
68	5.7	7.9	6.6	6.7	7.8	7.3	6.3	7.7	6.8	68
70	4.6	7.4	5.5	5.6	7.4	6.6	5.3	7	6.2	70
72		6.9	4.5	4.6	6.7	5.6	4.3	6.5	5.8	72
74		6.3	3.6	3.7	6.3	4.7	3.3	5.9	5.2	74
76		5.9		2.8	5.7	3.8	2.4	5.1	4.7	76
Rope rate	7	4	5	5	4	5	5	4	3	Rope rate
Tele status	2222111	1122222	2222211	2223330	1222222	2222221	3333330	2222222	3333333	Tele status
Wind speed limit	9	9	9	9	9	9	9	9	9	Wind speed limit

Operating Range-Telescopic Boom with Superlift Device (T8S)



Load Chart-Telescopic Boom with Superlift Device (T8S)



Unit: metric ton

Radius (m)	39.1	44.5	44.5	50	50	55.4	55.4	60.8	60.8	66.3	66.3	Radius (m)
5	243	224	193									5
6	243	224	185	193	170	170	161					6
7	243	224	178	193	163	170	155	160	136			7
8	224	214	171	193	157	170	150	160	132	148	122	8
9	207	197	164	181	151	170	146	158	128	148	120	9
10	189	181	158	167	145	163	141	148	123	140	116	10
12	160	154	144	144	134	143	131	129	116	126	108	12
14	141	135	131	127	124	126	121	116	110	112	102	14
16	123	121	121	113	115	111	113	105	101	101	96	16
18	110	107	113	100	107	101	105	94	94	91	91	18
20	98	96	106	89	99	91	98	84	90	83	86	20
22	88	87	99	81	92	82	93	76	84	75	81	22
24	79	80	92	73	87	75	87	70	80	69	77	24
26	70	72	83	68	81	68	82	63	76	64	73	26
28	62	65	75	62	76	63	77	58	71	59	70	28
30	55	58	69	57	69	58	71.5	54	69	54	67	30
32	48.8	52	63	51	63	53	65.54	50	65.25	50	63	32
34	39.8	47.3	58	46.2	58	49.7	60.3	46.7	60.01	47.8	59	34
36		42.7	53	41.7	53	45	55.65	43.5	55.27	44	55.37	36
38		36.5	46.7	37.5	49.8	40.8	51.36	39.3	51.1	40.5	51.2	38
40				33.8	46.1	37	47.6	35.6	47.3	36.7	47.4	40
42				30.3	42.1	33.6	44.2	32.1	43.9	33.3	44	42
44				24.8	36.6	30.3	40.8	28.8	40.8	30	40.9	44
46						27	37.9	25.5	37.9	26.9	38.1	46
48						24.2	35.1	22.6	35.3	24	35.5	48
50								19.8	32.9	21.3	33.1	50
52								17.2	30.6	18.7	30.8	52
54								14.8	28	16.3	28.6	54
56										14.1	26.4	56
58										12	24.5	58
60												60
62												62
64												64
66												66
68												68
70												70
72												72
74												74
76												76
Rope rate	21	19	16	16	14	14	13	13	11	12	10	Rope rate
Tele status	1111000	1111100	0000122	2111100	0000222	2111110	0001222	2221100	0002222	2222100	0012222	Tele status
Wind speed limit	11.1	11.1	11.1	11.1	11.1	11.1	11.1	9	9	9	9	Wind speed limit

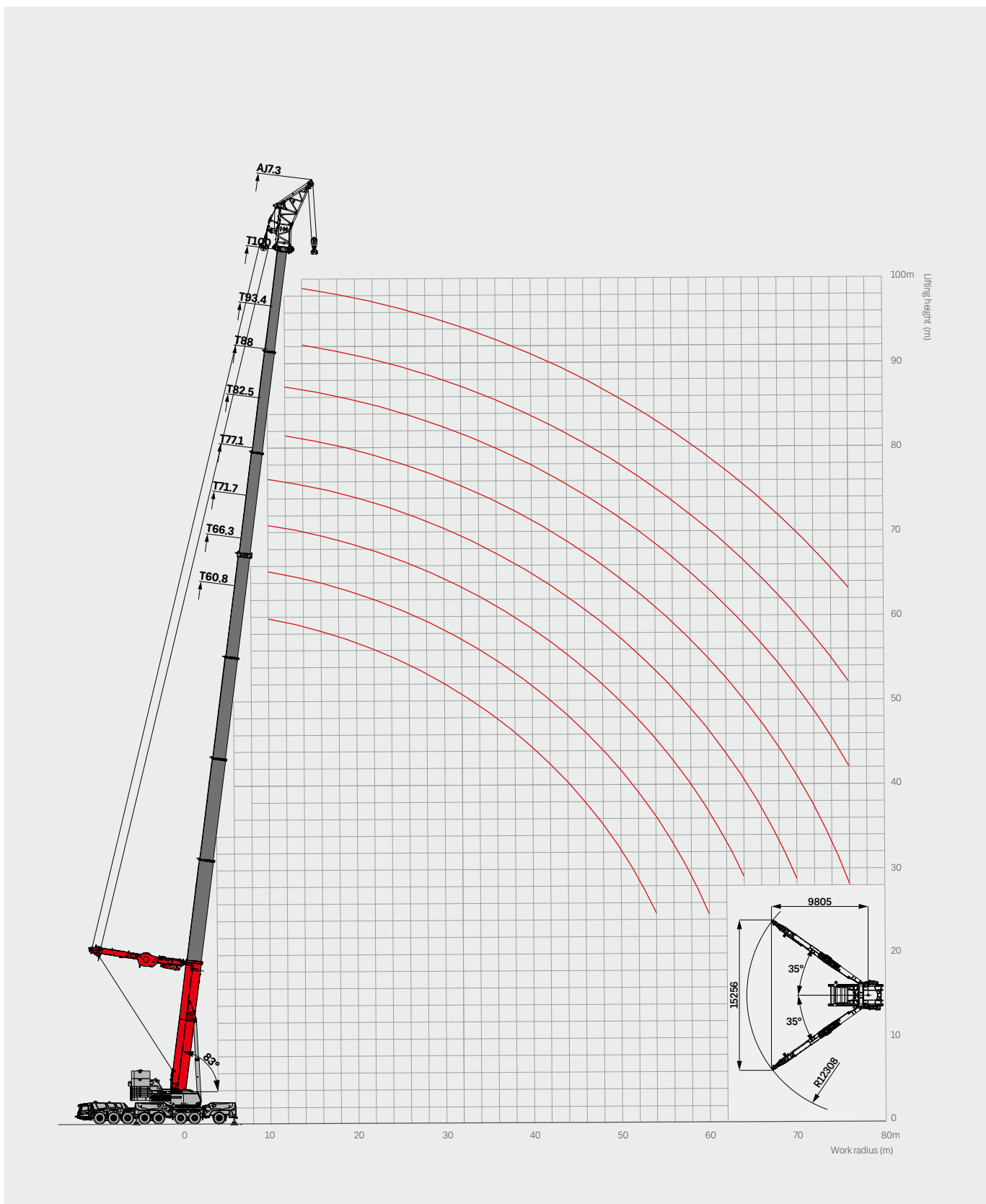
Load Chart-Telescopic Boom with Superlift Device (T8S)



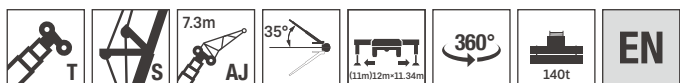
Unit: metric ton

Radius (m)	71.7	71.7	77.1	77.1	82.5	82.5	85.4	88	88.2	93.4	100	Radius (m)
5												5
6												6
7												7
8	136	110										8
9	130	108	119	97								9
10	125	104	115	96	95	87	93	78	83			10
12	114	98	106	91	90	84	87	73	79	65	53	12
14	104	93	97	86	84	80	83	70	74	63	52	14
16	94	88	90	81	78	75	78	66	71	61	50	16
18	85	84	82	77	72	72	72	64	66	58	48	18
20	79	79	77	72	68	68	67	60	61	55	46.2	20
22	72	75	70	69	62	66	63	58	57	53	44.1	22
24	67	72	65	65	58	62	58	56	54	50	42.2	24
26	61	68	60	63	54	60	55	52	50	47.1	40.2	26
28	57	64	57	59	51	56	52	50	47.4	44.6	38.3	28
30	53	61	52	57	48.1	53	48.8	47.2	44.4	41.9	36.2	30
32	49.3	58	49.4	53	45.2	50	45.7	44.6	41.6	39.9	34.2	32
34	46.3	56	45.5	51	41.6	47.5	43	42.2	39	37.4	32.3	34
36	43.4	53	42.7	48	39	45.2	40.2	40.2	36.6	35.6	30.8	36
38	40	50	40	46.2	36.6	42.8	37.7	37.7	34.3	33.4	28.8	38
40	37.5	46.8	37.6	44.1	34.3	40.8	35.4	35.8	32.2	31.9	27.5	40
42	35	43.4	35.1	41.7	32.7	38.2	33.2	33.6	30.6	29.8	26.2	42
44	31.9	40.2	33	39.8	30.6	36.4	31.1	32	28.8	28.4	24.6	44
46	28.8	37.4	30.1	37	28.8	34.8	29.6	30.5	26.9	26.7	23.5	46
48	25.9	34.8	27.2	34.4	27.3	33.1	27.8	28.6	25.3	25.4	22.3	48
50	23.2	32.4	24.6	32.1	25.7	31	26.4	27.3	24	24.2	21	50
52	20.8	30.1	22.2	29.7	23.6	28.6	24.1	26.1	22.5	22.7	19.9	52
54	18.5	27.8	19.9	27.4	21.4	26.4	21.8	24.8	21.5	21.6	19	54
56	16.3	25.8	17.7	25.3	19.3	24.3	19.8	23.5	19.6	20.6	18.1	56
58	14.2	23.8	15.7	23.4	17.2	22.4	17.8	21.6	17.5	19.6	17	58
60	12.3	22.1	13.8	21.6	15.4	20.6	15.9	19.8	15.6	18.5	16.2	60
62	10.6	20.4	12	20	13.6	18.9	14.2	18.2	13.9	16.8	15.4	62
64	8.9	18.8	10.4	18.4	12	17.4	12.5	16.5	12.3	15.1	14.7	64
66			8.8	16.9	10.4	15.8	11	15	10.7	13.6	13.8	66
68			7.4	15.5	9	14.4	9.6	13.6	9.3	12.1	12.4	68
70			6	14.1	7.6	13	8.2	12.2	8	10.8	11.1	70
72					6.4	11.7	6.9	10.9	6.7	9.5	9.8	72
74					5.1	10.5	5.7	9.7	5.5	8.3	8.6	74
76							4.6	8.6	4.4	7.2	7.5	76
Rope rate	11	9	10	8	8	7	8	6	7	5	4	Rope rate
Tele status	2222110	0022222	2222210	0122222	2222220	0222222	2223330	1222222	3333330	2222222	3333333	Tele status
Wind speed limit	9	9	9	9	9	9	9	9	9	9	9	Wind speed limit

Operating Range-Telescopic Boom with Superlift Device with Auxiliary Jib(T8SAJ)



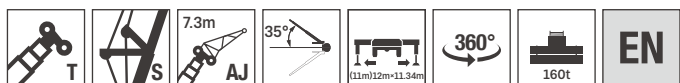
Load Chart-Telescopic Boom with Superlift Device with Auxiliary Jib (T8SAJ)



Unit: metric ton

Radius (m)	60.8	66.3	71.7	77.1	82.5	88	93.4	100	Radius (m)
	68.1	73.6	79	84.4	89.8	95.3	100.7	107.3	
9	122								9
10	122	120	109						10
12	119	113	101	93	77	62			12
14	110	105	94	87	73	57	52	42.5	14
16	100	96	87	81	69	54	51	41.7	16
18	91	87	80	76	65	51	49.9	40.7	18
20	81	79	74	70	61	49.6	48.1	39.4	20
22	73	72	68	65	57	47.9	46.2	38	22
24	66	65	62	60	53	46.3	44.2	36.4	24
26	60	60	57	56	50	44.8	42.1	34.9	26
28	53	54	53	52	46.9	43.2	39.9	33.2	28
30	46.4	47.3	48.9	49	43.8	41.6	37.8	31.6	30
32	40.4	41.2	42.9	43.9	40.9	39.9	35.7	30	32
34	35.2	36	37.7	38.7	38.3	38.2	33.7	28.4	34
36	30.7	31.5	33.1	34.2	35.4	36.3	31.7	26.9	36
38	26.6	27.6	29.1	30.1	31.4	34.5	29.9	25.4	38
40	23.1	24.1	25.6	26.6	27.9	31.7	28.1	23.9	40
42	20	20.9	22.5	23.5	24.7	28.5	26.5	22.6	42
44	17.1	18	19.6	20.6	21.9	25.6	24.3	21.3	44
46	14.6	15.6	17.1	18.1	19.3	23.1	21.7	20	46
48	12.2	13.2	14.8	15.8	17	20.8	19.4	18.8	48
50	9.9	10.9	12.6	13.7	14.9	18.7	17.4	17.5	50
52	7.8	8.8	10.5	11.6	13	16.7	15.4	15.6	52
54	5.9	6.9	8.6	9.7	11.1	15	13.7	13.8	54
56	4.1	5.1	6.8	8	9.3	13.3	12	12.2	56
58	2.4	3.5	5.2	6.3	7.7	11.7	10.4	10.6	58
60		2	3.7	4.8	6.2	10.2	8.9	9	60
62			2.3	3.4	4.8	8.8	7.4	7.6	62
64				2.1	3.5	7.5	6.1	6.3	64
66					2.2	6.3	4.9	5.1	66
68						5.1	3.8	4	68
70						4	2.7	2.9	70
72						3	1.7	1.9	72
74						2.1			74
76									76
Rope rate	10	10	9	8	6	5	5	4	Rope rate
Tele status	2221100	2222100	2222110	2222210	2222220	1222222	2222222	3333333	Tele status

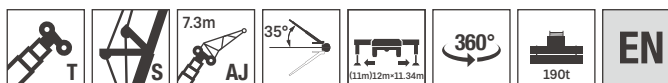
Load Chart-Telescopic Boom with Superlift Device with Auxiliary Jib (T8SAJ)



Unit: metric ton

Radius (m)	60.8	66.3	71.7	77.1	82.5	88	93.4	100	Radius (m)
	68.1	73.6	79	84.4	89.8	95.3	100.7	107.3	
9	122								9
10	122	120	109						10
12	119	113	101	93	77	62			12
14	110	105	94	87	73	57	52	42.5	14
16	100	96	87	81	69	54	51	41.7	16
18	91	87	80	76	65	51	49.9	40.7	18
20	81	79	74	70	61	49.6	48.1	39.4	20
22	73	72	68	65	57	47.9	46.2	38	22
24	66	65	62	60	53	46.3	44.2	36.4	24
26	60	60	57	56	50	44.8	42.1	34.9	26
28	55	55	53	52	46.9	43.2	39.9	33.2	28
30	51	51	49.7	49	43.8	41.6	37.8	31.6	30
32	47.2	47.9	46.3	45.7	40.9	39.9	35.7	30	32
34	41.5	42.5	43.3	42.7	38.3	38.2	33.7	28.4	34
36	36.6	37.5	39	40	35.9	36.3	31.7	26.9	36
38	32.2	33.1	34.7	35.7	33.6	34.5	29.9	25.4	38
40	28.5	29.3	30.8	31.8	31.6	32.6	28.1	23.9	40
42	24.9	25.9	27.4	28.4	29.7	30.7	26.5	22.6	42
44	21.9	22.8	24.4	25.4	26.6	29	25	21.3	44
46	19.1	20	21.6	22.6	23.9	27.3	23.5	20	46
48	16.6	17.5	19.1	20.1	21.3	25.1	22.2	18.8	48
50	14.2	15.2	16.7	17.7	19	22.8	21	17.7	50
52	11.9	12.9	14.6	15.6	16.9	20.6	19.4	16.7	52
54	9.8	10.8	12.5	13.7	14.9	18.7	17.4	15.7	54
56	7.8	8.9	10.6	11.7	13.1	16.9	15.6	14.8	56
58	6	7.1	8.8	10	11.3	15.2	14	13.9	58
60	4.3	5.5	7.2	8.3	9.7	13.6	12.4	12.5	60
62		3.9	5.7	6.8	8.1	12.2	10.8	11	62
64		2.4	4.2	5.4	6.7	10.8	9.4	9.6	64
66			2.9	4	5.4	9.4	8.1	8.3	66
68			1.6	2.8	4.1	8.2	6.8	7	68
70				1.6	2.9	7	5.6	5.8	70
72					1.8	5.9	4.5	4.7	72
74						4.8	3.5	3.7	74
76						3.8	2.5	2.7	76
Rope rate	10	10	9	8	6	5	5	4	Rope rate
Tele status	2221100	2222100	2222110	2222210	2222220	1222222	2222222	3333333	Tele status

Load Chart-Telescopic Boom with Superlift Device with Auxiliary Jib (T8SAJ)



Unit: metric ton

Radius (m)	60.8	66.3	71.7	77.1	82.5	88	93.4	100	Radius (m)
	68.1	73.6	79	84.4	89.8	95.3	100.7	107.3	
9	122								9
10	122	120	109						10
12	119	113	101	93	77	62			12
14	110	105	94	87	73	57	52	42.5	14
16	100	96	87	81	69	54	51	41.7	16
18	91	87	80	76	65	51	49.9	40.7	18
20	81	79	74	70	61	49.6	48.1	39.4	20
22	73	72	68	65	57	47.9	46.2	38	22
24	66	65	62	60	53	46.3	44.2	36.4	24
26	60	60	57	56	50	44.8	42.1	34.9	26
28	55	55	53	52	46.9	43.2	39.9	33.2	28
30	51	51	49.7	49	43.8	41.6	37.8	31.6	30
32	47.9	47.9	46.3	45.7	40.9	39.9	35.7	30	32
34	44.8	44.8	43.3	42.7	38.3	38.2	33.7	28.4	34
36	41.9	42	40.5	40	35.9	36.3	31.7	26.9	36
38	39	39.3	37.9	37.5	33.6	34.5	29.9	25.4	38
40	35.3	36.1	35.5	35.1	31.6	32.6	28.1	23.9	40
42	32	32.8	33.2	32.9	29.7	30.7	26.5	22.6	42
44	28.9	29.7	31	30.8	27.9	29	25	21.3	44
46	25.9	26.8	28.3	28.8	26.3	27.3	23.5	20	46
48	23	23.9	25.4	26.4	24.7	25.7	22.2	18.8	48
50	20.4	21.3	22.8	23.8	23.2	24.3	21	17.7	50
52	18.1	19	20.5	21.5	21.7	22.9	19.8	16.7	52
54	15.7	16.7	18.3	19.4	20.2	21.7	18.7	15.7	54
56	13.5	14.6	16.3	17.3	18.6	20.6	17.7	14.8	56
58	11.5	12.6	14.3	15.4	16.7	19.6	16.7	13.9	58
60	9.6	10.7	12.4	13.6	14.9	18.6	15.7	13.1	60
62		9	10.7	11.9	13.2	17.1	14.7	12.3	62
64		7.3	9.1	10.3	11.6	15.6	13.8	11.6	64
66			7.6	8.8	10.1	14.2	12.8	10.9	66
68			6.2	7.3	8.7	12.7	11.4	10.1	68
70			4.8	6	7.4	11.4	10.1	9.4	70
72				4.8	6.1	10.2	8.8	8.7	72
74				3.6	5	9	7.7	7.9	74
76				2.4	3.8	7.9	6.6	6.8	76
Rope rate	10	10	9	8	6	5	5	4	Rope rate
Tele status	2221100	2222100	2222110	2222210	2222220	1222222	2222222	3333333	Tele status

Icon Description



Max. lifting capacity



Max. combination of boom + wind power jib



Max. lifting moment



Telescopic boom



Superlift device



Swingout range of superlift



Fixed/wind power jib



Outrigger span



360° slewing



Counterweight



Norm



Auxiliary jib



Boom extension



Luffing jib



SANY GROUP CRANE BU

SANY Mobile Crane Industrial Park, No.168 Jinzhou Avenue, Jinzhou Development Zone, Changsha City, Hunan Province, P.R. China Zip 410600

Consulting sanycrane@sanygroup.com (Crane BU) / crd@sany.com.cn (IHQ)

After-sales Service 0086-400 6098 318

Reminder:

Any change in the technical parameters and configuration due to product modification or upgrade may occur without prior notice. The machine in the picture may include additional equipment. This brochure is for reference only, and goods in kind shall prevail.

Copyright at SANY. No part of this brochure may be copied or used for any purpose without written approval from SANY.

© Edited in March 2022

