

SANY

HYDRAULIC WHEEL EXCAVATOR **SY155W**

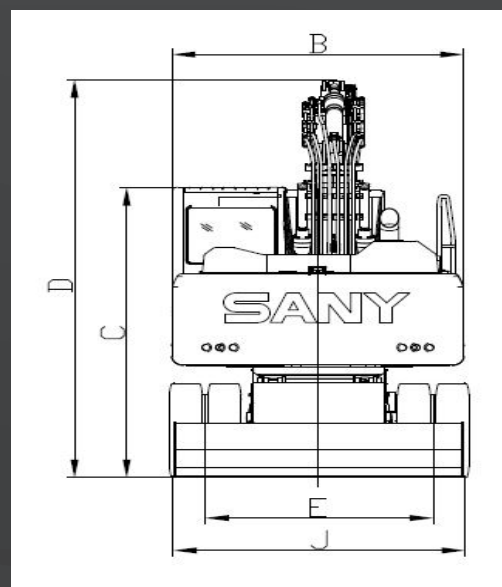
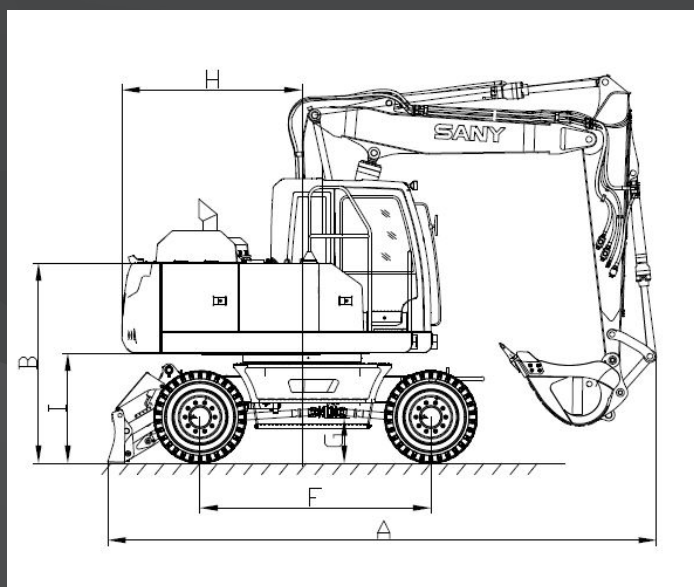
Engine **DEUTZ**
Power **115KW/2000 RPM**
Operating Weight **15000 KG**



- RELIABLE FIRST-CLASS COMPONENTS
- LOWER FUEL CONSUMPTION
- SIMPLIFIED SERVICE

DIMENSIONS

HYDRAULIC EXCAVATOR **SY155W**

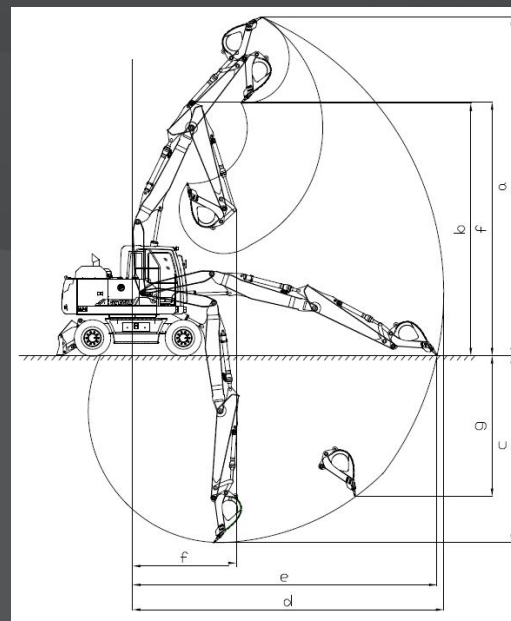


DIMENSIONS

A Transport Length	8200 mm
B Transport Width	2550 mm
C Total Height (upper part of the cabin)	3200 mm
D Transport Height	4980 mm
E Wheel Tread	1944 mm
F Wheelbase	2600 mm
G Minimum Ground Clearance	360 mm
H Tail Swing Radius	2030 mm
I Counterweight Clearance From Ground	1230 mm
J Blade Width	2490 mm

RANGE

a Max. Digging Height	9950 mm
b Max. Dumping Height	7200 mm
c Max. Digging Depth	5400 mm
d Max. Digging Reach	8900 mm
e Max. Ground Digging Reach	8700 mm
f Height at Min. Swing Radius	7324 mm
g Max. Vertical Digging depth	4500 mm
h Min. Swing Radius	2030 mm



SANY

ADDR SANY EUROPE GMBH
SANY ALLEE 1, D-50181 BEDBURG

TEL 0049 2272 90531 100

FAX 0049 2272 90531 109

MAIL info@sanyeurope.com

NET www.sanyeurope.com