

SANY®

# SSP80C-8H (FIXED-WIDTH SCREED) MULTIFUNCTIONAL PAVER

## SSP80C-8H (拼装板) 多功能摊铺机

Heavy thickness pavement No.1 in China.  
大厚度摊铺 唯我独尊



### STRONG POWER

- ◆ The power can satisfy the paver's demands under different working conditions;
- ◆ Low noise, less oil consumption and better machine reliability under economic gear mode.

### EFFICIENCY

- ◆ It is able to ensure over 800 t/h paving capacity under all conditions, which is peerless in the industry.
- ◆ With 50 cm paving thickness, it can realize the paving and molding of two layers of stable soils in one time, which can improve working efficiency by 50%.
- ◆ 2 persons can finish assembling 10 m screed within 2.5 hours.
- ◆ Adopt self-developed SYMC control system to achieve remote technical support and equipment management
- ◆ The spiral feed divider can realize one-key overall lifting to improve equipment operation convenience and work adaptability significantly.

### ECONOMICAL

- ◆ The conveying channel is made of thickened wearing-resistant steel plate and the service life of wearing-resistant parts is increased by 30%.
- ◆ Strong continuous working capacity to ensure the non-stop working requirements under 50 °C temperature.

#### 动力强劲

- ◆ 动力充分满足摊铺机各种工况下动力需求。
- ◆ 经济档转速下噪音更低，油耗更少，机器可靠性得到大幅提升。

#### 经济

- ◆ 输料通道采用增厚耐磨钢板制作，耐磨件寿命提升 30%。
- ◆ 连续工作能力更强，确保 50 度高温环境连续不停机作业要求。

#### 高效

- ◆ 任何工况，确保摊铺能力大于 800t/h，行业内绝无仅有。
- ◆ 一次成型厚度达 50 厘米，可实现两层稳定土一次摊铺成型，提升工作效率 50%。
- ◆ 快速拼装熨平板，2 人可在 2.5 小时内完成 10 米熨平板拼装。
- ◆ 使用自主研发的 SYMC 控制系统，可实现远程技术支持和设备管理。
- ◆ 螺旋分料装置实现了一键整体提升，极大提高了设备的操作便捷性和工况适应能力。

# TECHNICAL PARAMETER

## 技术参数

### SSP80C-8H (拼装板) 多功能摊铺机技术参数

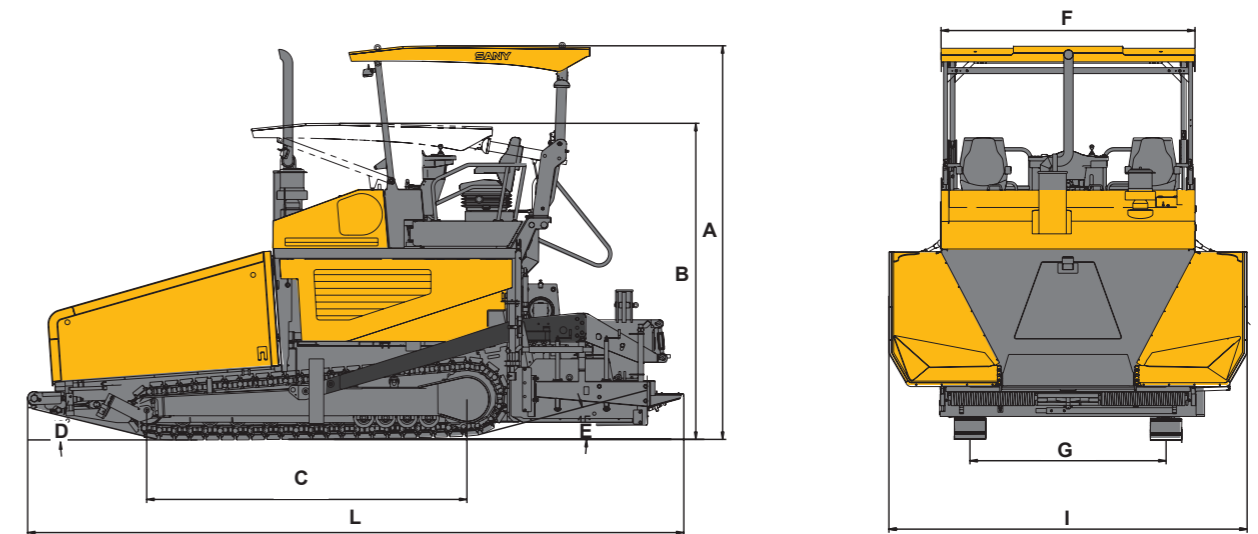
Technical Parameters of SSP80C-8H(Fixed-Width Screed) Multifunctional Paver

型号 Model	SSP80C-8H (拼装板) (Fixed-Width Screed)
最大理论生产能力 Paving Capacity(t/h)	800
最大摊铺宽度 Paving Width(m)	直板 Bolted: 8
基本宽度 Basic Width(m)	直板 Bolted: 2.5
最大摊铺厚度 Max. Paving Thickness(mm)	500
工作速度 Working Speed(m/min)	1~23
行驶速度 Travel Speed(km/h)	0~2.5
运输尺寸 Transport Size(mm)	直板 Bolted: 6790×2960×3308
发动机品牌 Engine Brand	SHANGCHAI
发动机型号 Engine Model	SC7H210G3
额定功率 Rated Power of Engine(kW)	155
额定转速 Rated Speed of Engine(rpm)	2050
排放标准 Emission Standard	CHINA III
电控系统电压 Voltage of Electric System(V)	24
最大爬坡能力 Gradeability	≥20%
振动频率 Frequency of Oscillation(Hz)	0 ~ 50( 选配 )(optional)
料斗容量 Hopper Capacity(m <sup>3</sup> )	8.5
加热方式 Heating Mode	气加热 Gas Heated
拱度调节范围 Camber Adjustment Range(%)	-1~3
振捣数量 Tamps	2
振捣振幅 Amplitude of Tamp(mm)	主振捣 Main vibrating: 3/5/8/10 副振捣 Auxiliary vibrating: 5
振捣频率 Frequency of Tamp(Hz)	0~20
振动频率 Frequency of Oscillation(Hz)	0~25

### SSP80C-8H (拼装板) 多功能摊铺机尺寸参数

Dimensions of SSP80C-8H(Fixed-Width Screed) Multifunctional Paver

型号 Model	SSP80C-8H (拼装板) (Fixed-Width Screed)
A(mm)	4022
B(mm)	3308
C(mm)	3278
D (°)	14
E (°)	12.5
F(mm)	2600
G(mm)	2040
I(mm)	3660
L(mm)	6717



**SANY HEAVY INDUSTRY CO., LTD.**  
 SANY Industry Town, Changsha Economic and Technological Development Zone,  
 Hunan Province, China  
 Service Line: +86 4006 098 318 E-mail: crd@sany.com.cn

**SANY**<sup>®</sup>  
 QUALITY CHANGES THE WORLD.