

SANY[®]

SAP90C-8 SUPER PAVER

SAP90C-8 超级摊铺机



EXCELLENT PAVING PERFORMANCE

- ◆ High strength screed— the strongest, most rigid design in the industry. Using a frame structure with double layer anti-twist beams to produce consistently stable work.
- ◆ Anti-segregation technology used in all aspects of material handling. Fully proportional, independent conveyor and auger controls match device speeds to paving speed - fully and independently adjustable for various material types.
- ◆ To provide the ultimate in product support, machine controllers can be remotely monitored and even updated!

STABLE AND RELIABLE

- ◆ Wiring harnesses built to industry standards to provide solid connections and protection against heat, cold and moisture.
- ◆ The machine and it's systems are designed to work non-stop, 24 hours a day under full load in a 50 degrees Celsius environment.

领先技术带来摊铺效果好

- ◆ 高强度平板——业内最强刚性设计，采用框架结构及双层防扭梁设计，施工更平整、更稳定。
- ◆ 输分料防离析技术——全比例输分料控制，匹配泵-马达模糊控制，大直径、大节距螺旋叶片提升搅拌均匀度，低匀速供料技术保证输料平稳性，提升路面平整度。
- ◆ 远程程序升级——提供最及时技术更新及服务。

稳定可靠

- ◆ 电气汽车化线束——杜绝线松动、接触不良。杜绝线管故障。
- ◆ 高效散热模型——机舱内部采用分舱导流技术，优化热量传递路线，提升散热能力，实现高温环境连续施工不停机。

TECHNICAL PARAMETER

技术参数

SAP90C-8 超级摊铺机技术参数

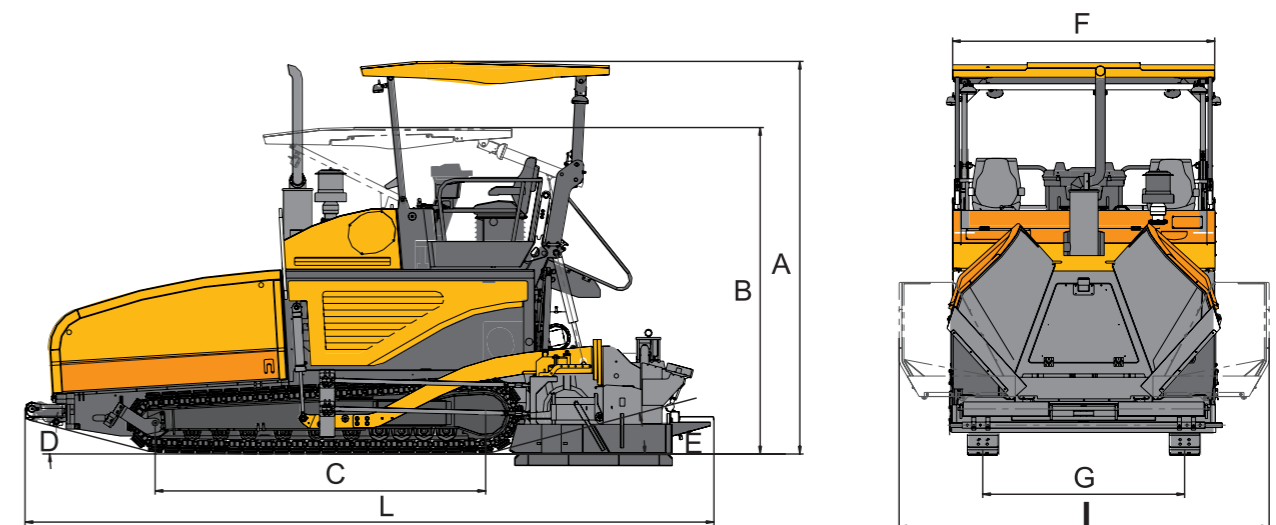
Technical Parameters of SAP90C-8 Super Paver

型号 Model	SAP90C-8
最大理论生产能力 Paving Capacity(t/h)	900
最大摊铺宽度 Paving Width(m)	伸缩板 Hydraulic: 9.2
基本宽度 Basic Width(m)	伸缩板 Hydraulic: 3~5.7
最大摊铺厚度 Max. Paving Thickness(cm)	35
工作速度 Working Speed(m/min)	1~16
行驶速度 Travel Speed(km/h)	0~2.4
运输尺寸 Transport Size(mm)	7250×3210×3280
发动机品牌 Engine Brand	SANY
发动机型号 Engine Model	D07S3-231E0
额定功率 Rated Power of Engine(kW)	180
排放标准 Emission Standard	CHINA III
电控系统电压 Voltage of Electric System(V)	24
最大爬坡能力 Gradeability	≥20%
料斗容量 Hopper Capacity(m ³)	8.5
加热方式 Heating Mode	电加热 Electric Heated
拱度调节范围 Camber Adjustment Range(%)	-1~3
振捣数量 Tamps	1
振捣振幅 Amplitude of Tamp(mm)	0/2/4/6/8
振捣频率 Frequency of Tamp(Hz)	0~25
振动频率 Frequency of Oscillation(Hz)	0~50

SAP90C-8 超级摊铺机尺寸参数

Dimensions of SAP90C-8 Super Paver

型号 Model	SAP90C-8
A(mm)	3880
B(mm)	3280
C(mm)	3278
D(°)	15
E(°)	12.5
F(mm)	2600
G(mm)	2022
I(mm)	3667
L(mm)	7250



SANY HEAVY INDUSTRY CO., LTD.

SANY Industry Town, Changsha Economic and Technological Development Zone,
Hunan Province, China
Service Line: +86 4006 098 318 E-mail: crd@sany.com.cn

SANY[®]
QUALITY CHANGES THE WORLD.