

**SANY**<sup>®</sup>

# SPECIFICATION



# Paver SAP60C-10T

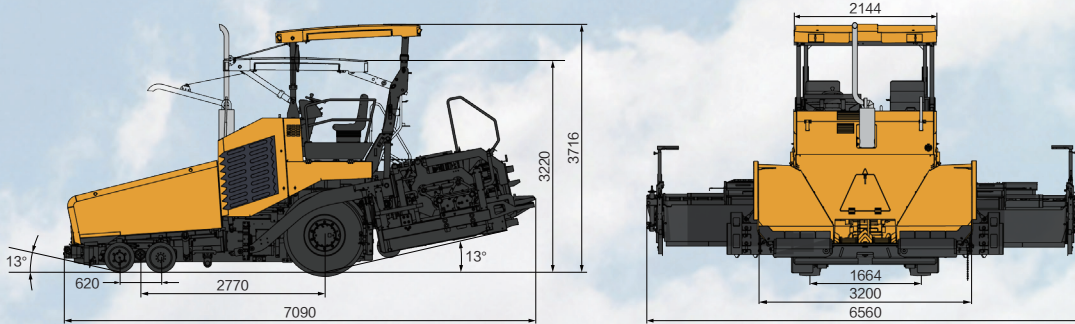
QUALITY CHANGES THE WORLD

[www.sanyglobal.com](http://www.sanyglobal.com)

# Product Parameters

## Overall Dimensions

Note: The following are standard parameters; actual products may vary based on configurations.



Unit: mm

Item	SAP60C-10T
Maximum theoretical paving capacity (t/h)	500
Maximum paving width (m)	6
Basic width (m)	2.3~6
Maximum paving thickness (cm)	30
Working speed/(m/min)	1.5~25
Traveling speed (km/h)	0~15
Operating noise (dB)	84.7
Transportation dimensions (L×W×H/mm)	7090×2600×3220
Engine brand	ISUZU
Engine model	4HK1
Rated power (kW)	120
Rated speed (rpm)	2000
Emission standard	China III
Electronic control system (V)	24
Maximum gradeability	≥20%
Hopper capacity (m <sup>3</sup> )	6
Heating mode	Electric heating
Vibration quantity	1
Vibration amplitude (mm)	4
Vibration speed (rpm)	0~1500