

## KEY FUNCTIONAL PARAMETER

### Machine Parameter

Rated Payload	7000 kg
Operating Weight	23300kg
Bucket Capacity	3.5-7m <sup>3</sup>
Max Dumping Height	3400mm
Max digging force	185KN
Max traction force	210KN
Fastest Total Cycle Time	10.5s
Max. speed	40km/h
Wheel base	3650mm
Machine protection level	IP67
Fording depth	650mm

### Battery and Motor

Battery Type	LFP
Rated Storage Energy	424kW·h
Nominal Voltage	614V
Charging Time(20%~100%)	82min
Durability	8~10h
Drive Motor Rated/Peak Power	130/250kW
Drive Motor Rated/Max. Torque	1200/2400Nm
Hydraulic Motor Rated/Peak Power	92/160kW
Hydraulic Motor Rated/Max. Torque	400/800Nm
Motor Cooling Type	Liquid Cooling
System Voltage	DC24V

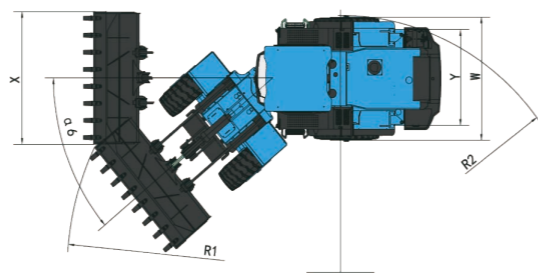
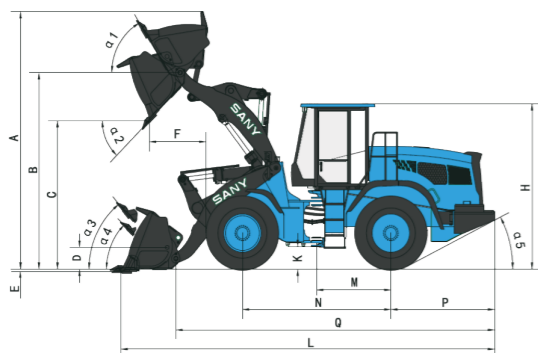
### Hydraulic System

Working System Type	Single Pump Quantification
Main Valve Manufacturer	Gaoyu
Main Valve Type	Hydraulic Control Two-way Valve
Steering System	Wide-angle Steering
Control System	Hydraulic Control Single Handle
Breaking System	Hydraulic
Cooling system	Electronically Controlled Fan
Hydraulic Pump	Double Gear Pump

### Drive Train

Transmission Manufacturer	SANY
Transmission Gear Position Num.	F2R1
Shift Type	Electrically Controlled Sliding Sleeve
Service Break	Full Power Hydraulic
Parking Break	Hydraulic Disc Brake
Tyre	26.5-25
Axle Manufacturer	SANY
Drive Axle Load Grade	7 Ton machine Level

## DIMENSIONS



No.	Item	Code	Unit	Data
1	Max. Lifting Height	A	mm	6300
2	Max. Hinge Pin Height	B		4844
3	Maximum Dumping Clearance	C		3400
4	Material Transportation Position Height	D		488
5	Dump Reach at Full Height Discharge	F		1140
6	Cab height	H		3580
7	Ground clearance	K		425
8	Length with Standard Bucket Down	L		9100
9	Distance between Rear Axle and Articulation	M		1775
10	Wheel base	N		3650
11	Wheel Tread	Y		2380

No.	Item	Code	Unit	Data
12	Machine Width(Outer side Tire)	W	mm	3010
13	Width Over Bucket	X		3200
14	Turning Radius, Bucket Carry	R1	°	7935
15	Turning Radius, Outside of Tire	R2		7450
16	Bucket Rollback at Max. Height	α1		65.4
17	Max. Dump Angle at Full Height	α2		45
18	Bucket Rollback at Carry	α3		53.8
19	Bucket Rollback at Ground Level	α4		46
20	Rear Angle of Departure	α5		28
21	Turn Angle	Left α6		38
22		Right α6		

# SANY

QUALITY CHANGES THE WORLD



3.5-7.0 m<sup>3</sup>

424 kWh

23300 kg

# SW970E

## SANY Electric Wheel Loader

### Reminder:

Any change in the technical parameters and configuration due to product modification or upgrade may occur without prior notice. The machine in the picture may include additional equipment. This brochure is for reference only, and goods in kind shall prevail.

Copyright © SANY. No part of this brochure may be copied or used for any purpose without written approval from SANY.

© Version 2026-03-10

SANY LOADER | [f](#) [in](#) [globe](#) | [www.sanyglobal.com](http://www.sanyglobal.com)



Contact SANY Group



Follow SANY Group