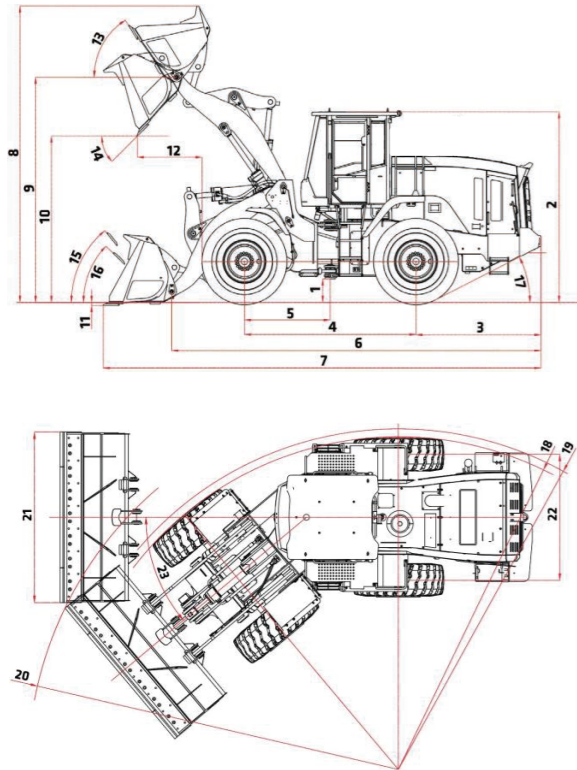


Product Specification

DIMENSIONS



OVERALL DIMENSIONS

	METRIC	Feet
1 Ground Clearance	465mm	1.53ft
2 Height to Top of Cab	3580mm	11.74ft
3 Center Line of Rear Axle to Edge of Counterweight	2230mm	7.32ft
4 Wheelbase	3650 mm	11.97ft
5 Center Line of Front Axle to Center Pivot	1650 mm	5.41ft
6 Shipping Length without Attachment	6942 mm	22.77ft
7 Shipping Length with Bucket	9277 mm	30.43 ft
8 Max. Dump Height	6222mm	20.41 ft
9 Hinge Pin Height at Max. Lift	4710 mm	15.45 ft
10 Dump Clearance at Max. Lift	3416 mm	11.20ft
11 Dig Depth, Level Bucket	65 mm	0.21 ft
12 Reach at Max. Lift and 45°Dump	1125 mm	3.69 ft
13 Roll Back at Max. Lift		61°
14 Dump Angle at Max. Lift and Dump		45°
15 Roll Back at Carry Height		49°
16 Roll Back at Ground		43°
17 Tail Angle to the Rear Wheel		27°
18 Clearance Circle to Outside of Tires	6507 mm	21.34ft
19 Clearance Circle to Counterweight	6862 mm	22.51ft
20 Max. Circle	7610mm	24.96ft
21 Width of the Bucket	3059 mm	10.03 ft
22 Tread	2380 mm	7.81ft
23 Turning angle		+/- 38°

TECHNICAL SPECIFICATIONS

Operating Weight	25,000 kg	55, 114lbs
Battery	466kW.h	
Traveling Motor		
Rated Power	130kW	173hp
Peak Power	240kW	320hp
Rated Torque	400N.m	542lbft
Peak Torque	990N.m	1342lbft
Working Motor		
Rated Power	90kW	120hp
Peak Power	160kW	213hp
Rated Torque	150N.m	203lbft
Peak Torque	330N.m	447lbft
Operation		
Bucket Capacity	4.5m ³	5.9yd ³
Breakout Force	200kN	44940lbf
Tipping Load Straight	14500kg	31967lbs
Tipping Load @ Full Turn	13800kg	30423lbs
Clearance (full lift 45° dump)	3416mm	11.20 ft
Reach (full lift 45° dump)	1125 mm	3.69 ft
Operation Hydraulic System		
Type	Convergence of oil from both pumps	
Operation mode	Electric control pilot	
Operation pump	Gear pump	
Steering Hydraulic System		
Type	Variable displacement	
Steering pump	Piston pump	
Steering angle	38°	
Hydraulic Cycle Times	10.5s	
Transmission		
Shift modes	AMT	
Forward gear I	0-16km/h	0-10mp/h
Forward gear II	0-40km/h	0-25mp/h
Reverse gear I	0-16km/h	0-10mp/h
Axle		
Front Axle	Fixed	
Traction Aid	Manual Differential Lock	
Rear Axle	Oscillating	
Traction Aid	Open Differential	
Service Brakes	Wet Disc	
Parking Brake	Disc Brake	
Tire	Radial Tire 26.5	
Service Capacities		
Hydraulic Tank	260L	68.6 gal
Transmission	14L	3.7 gal
Front Axle	24L	6.4 gal
Rear Axle	24L	6.4 gal
Motor cooling	26L	6.9gal
Battery cooling	24L	6.4gal

SANY

QUALITY CHANGES THE WORLD



4.5 m³
 466 kWh
 14,500 kg / 25,000 kg

SW978E

SANY Electric Wheel Loader

Reminder:

Any change in the technical parameters and configuration due to product modification or upgrade may occur without prior notice. The machine in the picture may include additional equipment. This brochure is for reference only, and goods in kind shall prevail.

Copyright © SANY. No part of this brochure may be copied or used for any purpose without written approval from SANY.

© Version 2026-03-10

SANY LOADER | www.sanyglobal.com



Contact SANY Group



Follow SANY Group